

***Zennio***<sup>®</sup>

Residential, Commercial and Hotel **Automation Solutions**

# Index

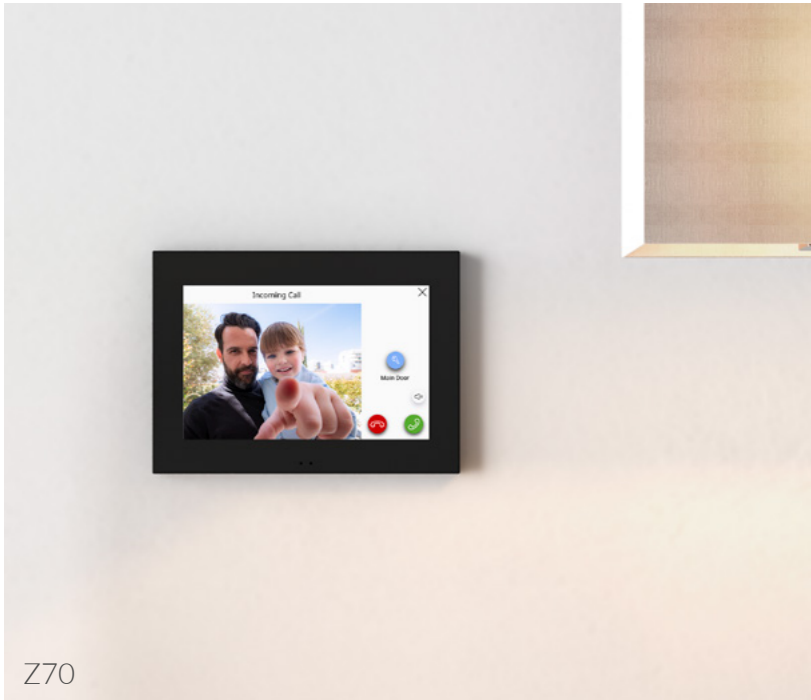
Z100 - Z70 - Z50 - Z41	06
Z40 - Z35 - Z28	32
Flat	44
Tecla	64
Presentia W	80
Switches & Sockets ZS55	86
Video Intercom GetFace IP	116
Access Control	130
Actuators	144



Z50



Z100



Z70



Z41

# Touch Panels

Z100 - Z70 - Z50 - Z41

We introduce you to Zennio's Z's...

...who have everything you could expect from the most advanced touch screens in the market, starting with a demanding list of requirements:

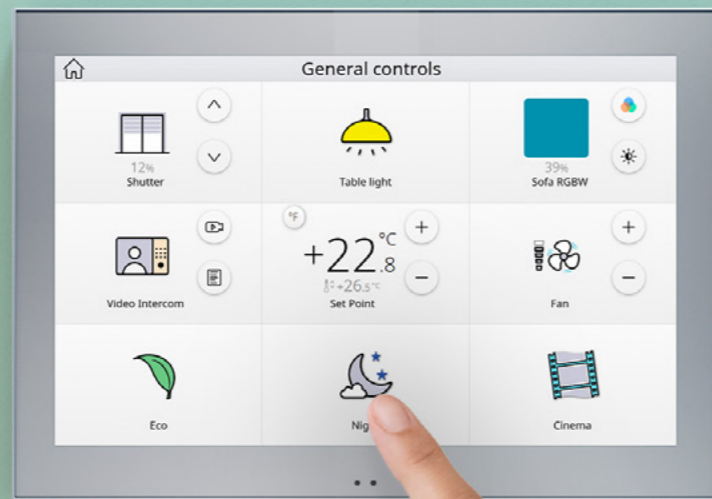
- Full control of any installation with end user flexibility to program their own scenes, sequences using macros, timers for screen controls...
- Smartphone control with the same interface as the touch panel to make control easier and more intuitive
- Video intercom remote answering and opening so you really have full control of your installation
- Voice control: everything at reach without leaving the sofa!

But beyond functionality, our touch panels stand out for their aesthetics, providing additional distinction to the room they are installed in.

# A 10/10 touch panel

Z100 is the top of Zennio's Z's range. With its stylish appearance, Z100 makes any room in which it is installed a bit extra glamorous.

How is it? Flat, compact and elegant. We could not define it better.



Z100 - 10"



## Z70 - 7"

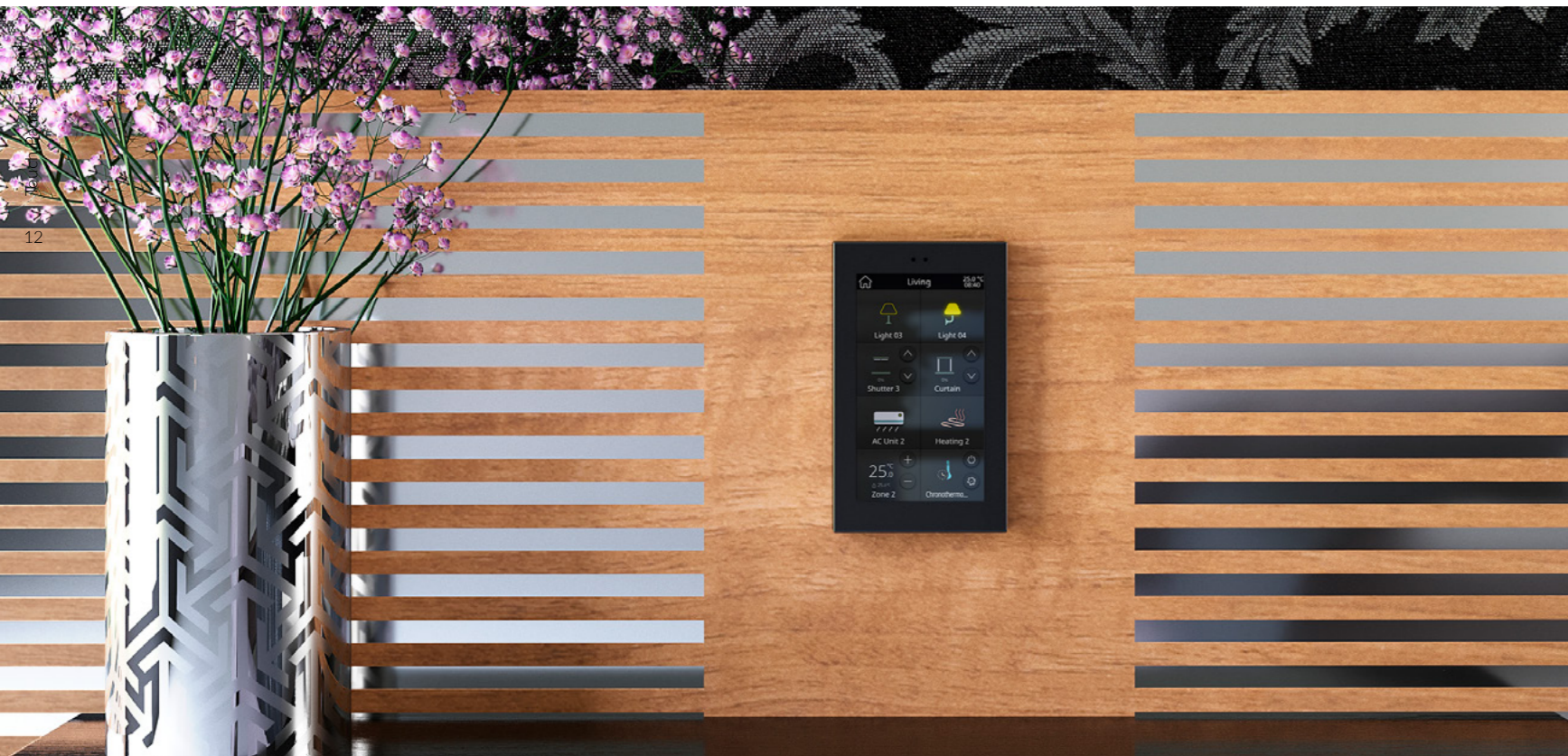
## The qualitative leap we were waiting for

7-inch touch panel with licensed functionality to increase capabilities according to customer needs. With up to 144 control points, it stands out for its intuitive control, appealing and friendly user interface and, of course, the display quality.



# A piece of art

Z50 has everything you are looking for in the touch panel that will become the heart of your smart home. Starting with the straight lines design, elegant and minimalistic, all the way up to its capabilities: in just 5 inches you will have full control of your KNX installation, including remote control, video intercom functionality and voice control. What else could you ask for?

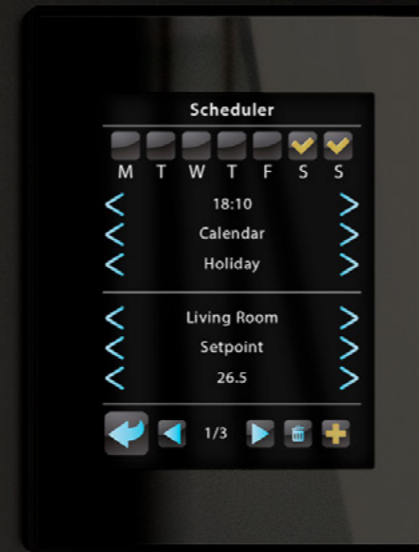


Z50 - 5"



Z41 - 4.1"

Touch Panels  
14



## An ally you can always trust

This capacitive touch panel has earned the trust of thousands of users throughout the years, thanks to its timeless design, its great control capabilities and its versatility, added to its compact design.

Z41 Lite  
Full local control



Z41 Pro  
Remote control via  
Zennio Remote app



Touch Panels  
15



# “Alexa! Say thank you to Zennio for making my life easier”

There is nothing like controlling everything around you by just asking. Zennio makes this possible thanks to ZenVoice, a license for Z50/Z70/Z100 that allows you to use Alexa and Google voice assistants in your KNX installation without any extra device, just your Zennio touch panel.






# Full management and control for any building

Get a comfortable air temperature, lighting with the appropriate dimming in each room, close all the blinds or manage the multimedia system with just one button. A system that fits your routine with configurable timers and receives technical alarms such as gas, smoke or flooding. Monitor energy consumptions centrally and start saving.



 Zennio Remote



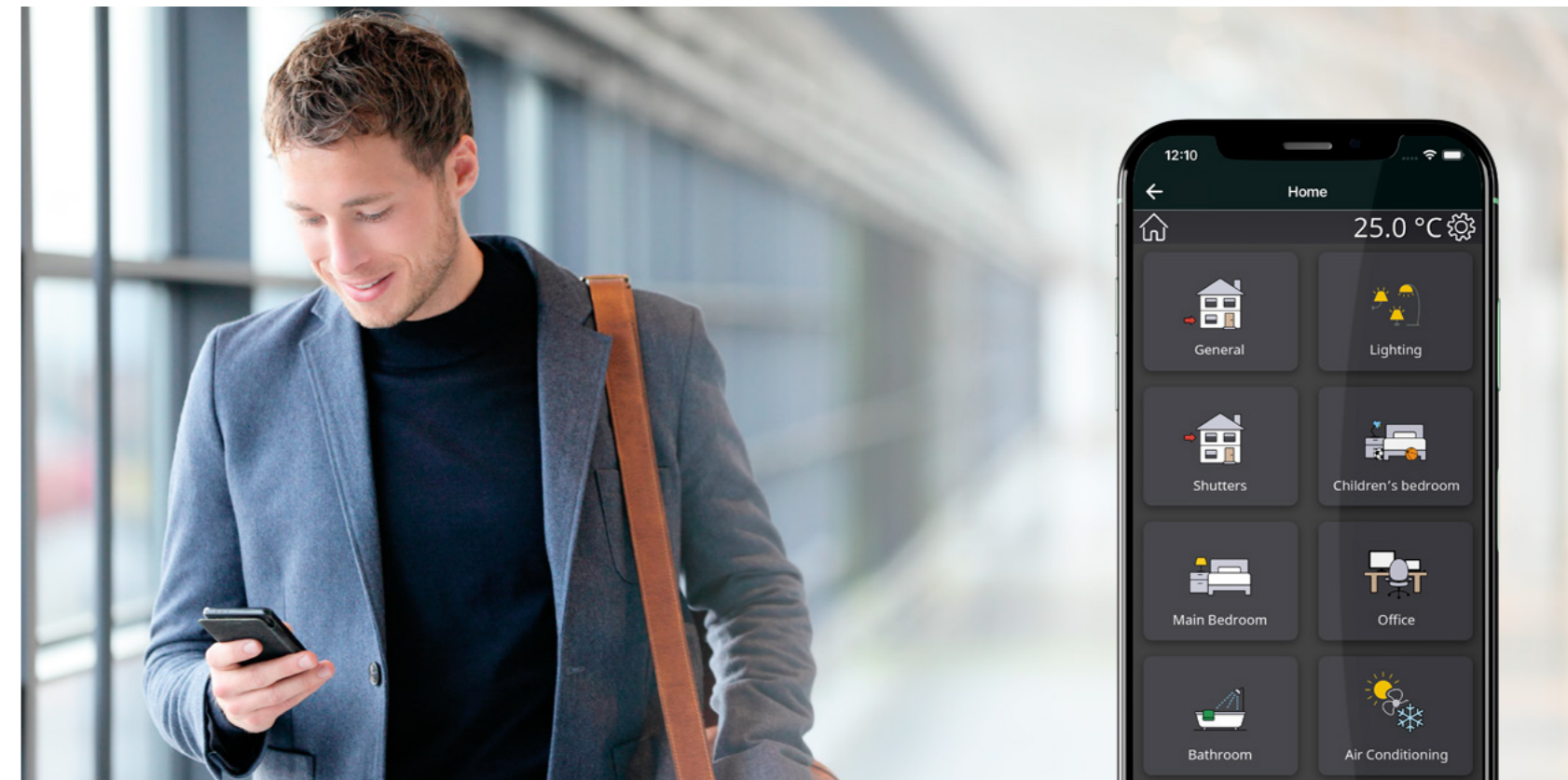
GET IT ON  
Google Play

Download on the  
App Store



# Home sweet home... at your fingertips and under control

If anything gives us peace of mind is knowing everything is under control. Zennio gives you the peace of knowing your home is under control wherever you are. This is thanks to Zennio's remote control apps, which allow to control and monitor any part of your installation from anywhere in the world.



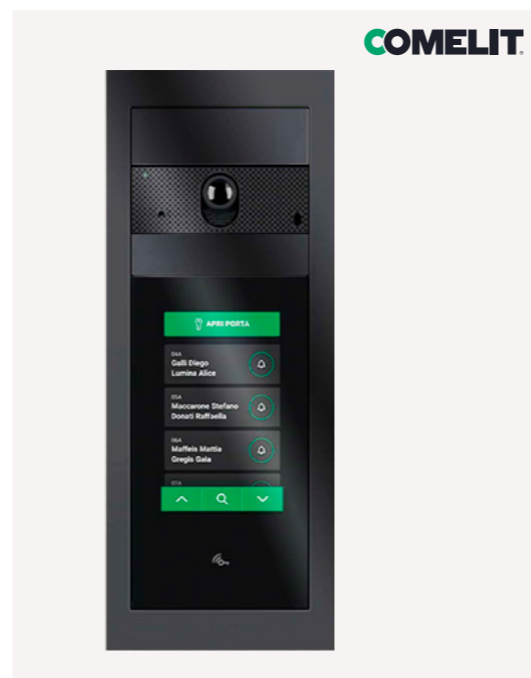
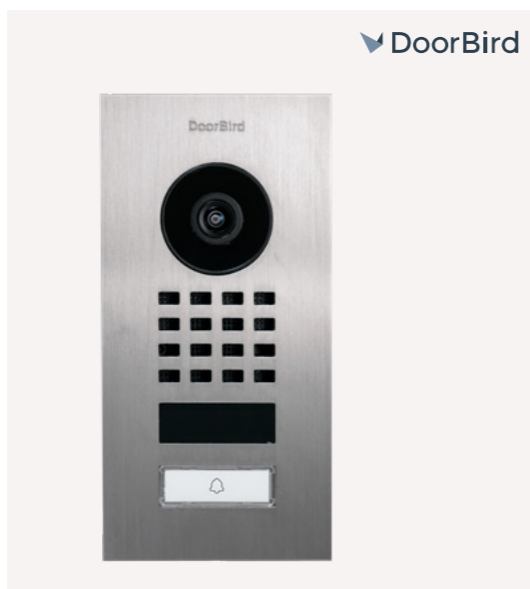
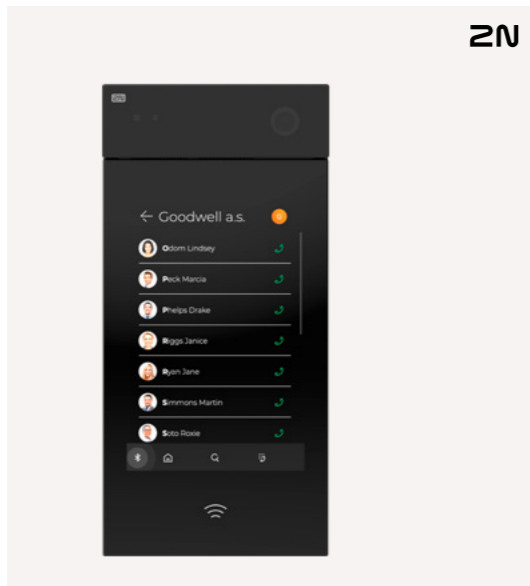
# Compatibility with any SIP video intercom on the market

Choose the video intercom that you like the most, but always choose Zennio.

Now it is possible to integrate Z50, Z70 and Z100 touch-panels with any SIP video intercom on the market.

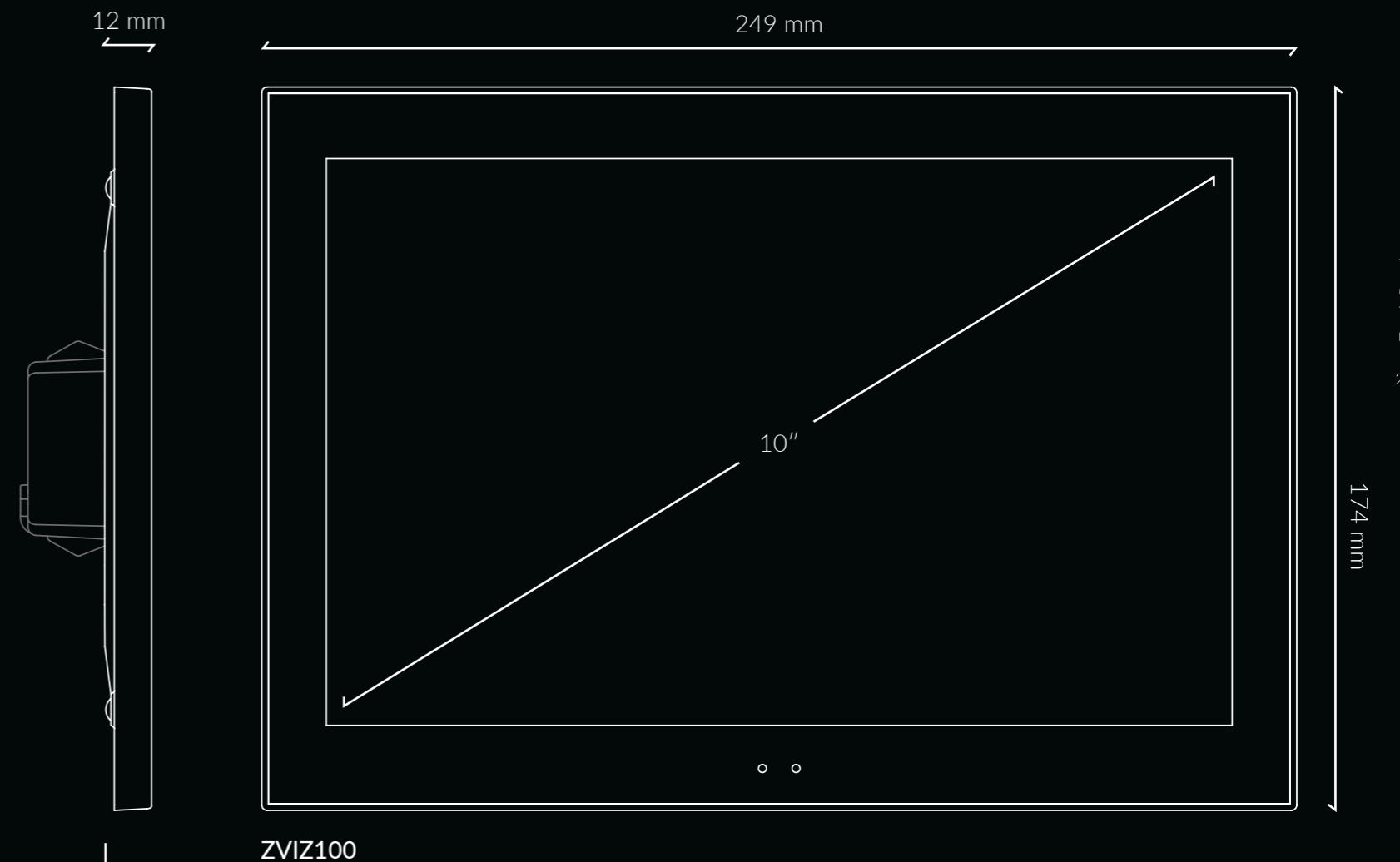
Communication with market leading brands such as Fermax, Doorbird, Comelit and 2N plus custom integration with other SIP based brands.

Allow visitors to benefit from exceptional image and sound quality through an intuitive and elegant interface.



# References and specifications

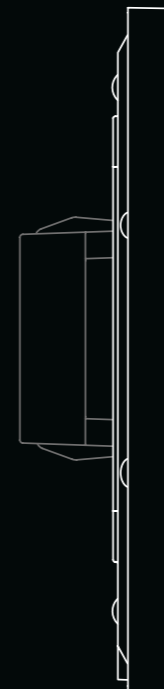
	Z50	Z70	Z100
Display size	5"	7"	10"
Controls and indicators in standard pages	96	144	180
Thermostats	2	2	2
IP camera visualization	✓	✓	✓
Screensaver	✓	✓	✓
Multilanguage	✓	✓	✓
Custom icons	✓	✓	✓
Technical alarms	✓	✓	✓
Timers	✓	✓	✓
Temperature sensor	✓	✓	-
Proximity sensor	✓	✓	✓
Luminosity sensor for brightness automatic adjustment	✓	✓	✓
Available colours: anthracite, silver and white	✓	✓	✓
Analogue-digital inputs	2	4	4
Installation in European, British, Italian, American or Australian standard single back box	✓	-	-
Installation in European double or British double standard back box	-	✓	✓
Remote control (Ethernet)	Under license	Under license	Under license
Video intercom and internal calls	Under license	Under license	Under license
Voice control	Under license	Under license	Under license



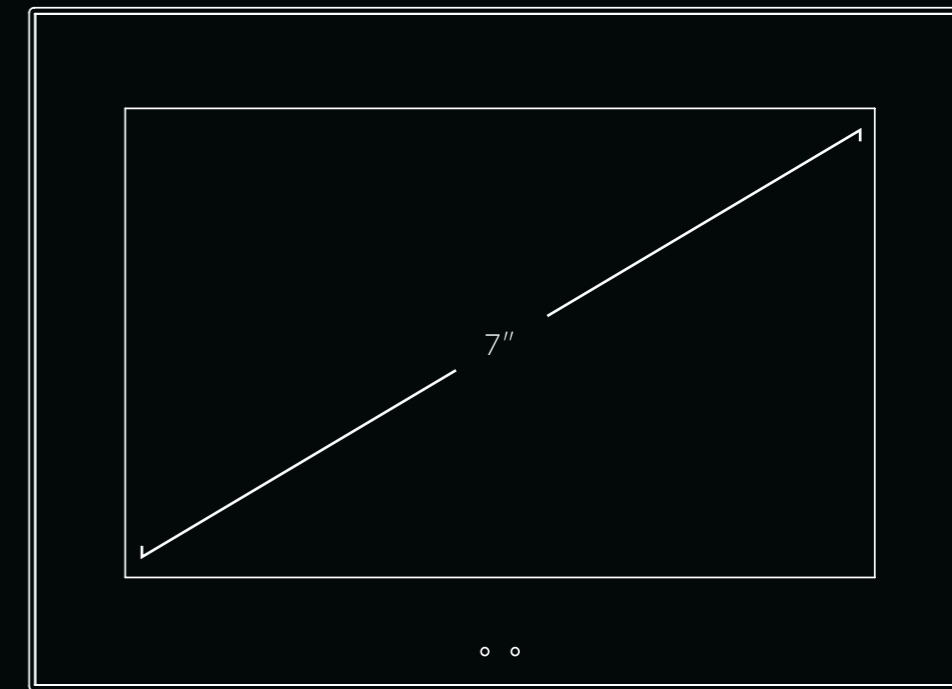
# References and specifications

	Z50	Z70	Z100
Display size	5"	7"	10"
Controls and indicators in standard pages	96	144	180
Thermostats	2	2	2
IP camera visualization	✓	✓	✓
Screensaver	✓	✓	✓
Multilanguage	✓	✓	✓
Custom icons	✓	✓	✓
Technical alarms	✓	✓	✓
Timers	✓	✓	✓
Temperature sensor	✓	✓	-
Proximity sensor	✓	✓	✓
Luminosity sensor for brightness automatic adjustment	✓	✓	✓
Available colours: anthracite, silver and white	✓	✓	✓
Analogue-digital inputs	2	4	4
Installation in European, British, Italian, American or Australian standard single back box	✓	-	-
Installation in European double or British double standard back box	-	✓	✓
Remote control (Ethernet)	Under license	Under license	Under license
Video intercom and internal calls	Under license	Under license	Under license
Voice control	Under license	Under license	Under license

12 mm



189 mm



ZVIZ70V2

137 mm

Touch Panels

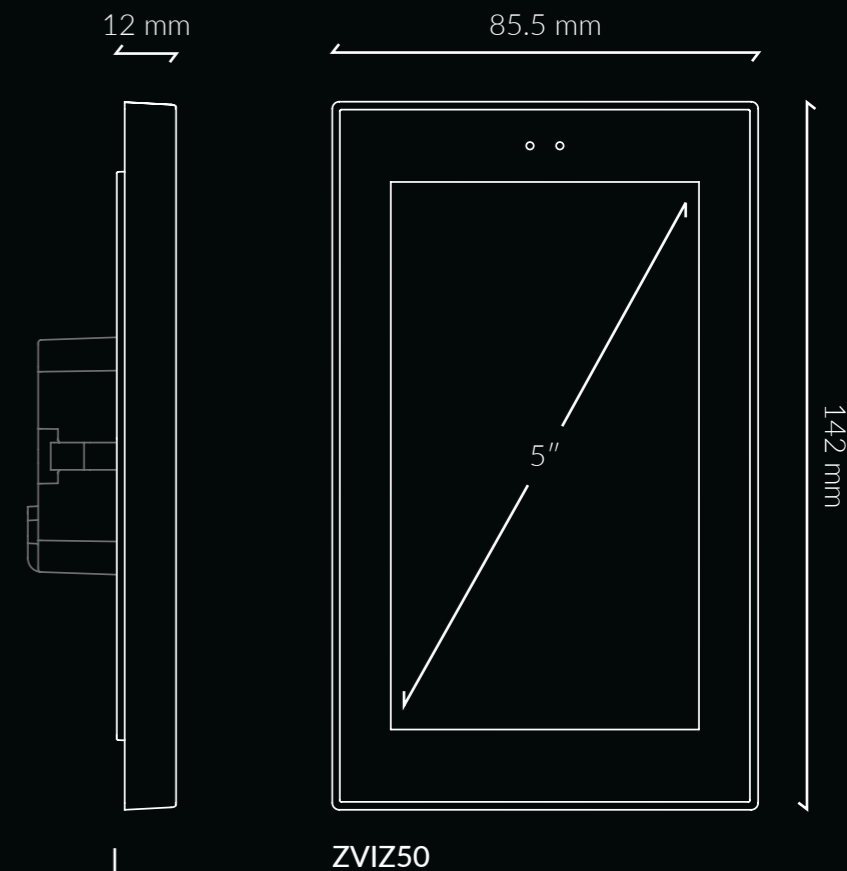
27

Touch Panels

26

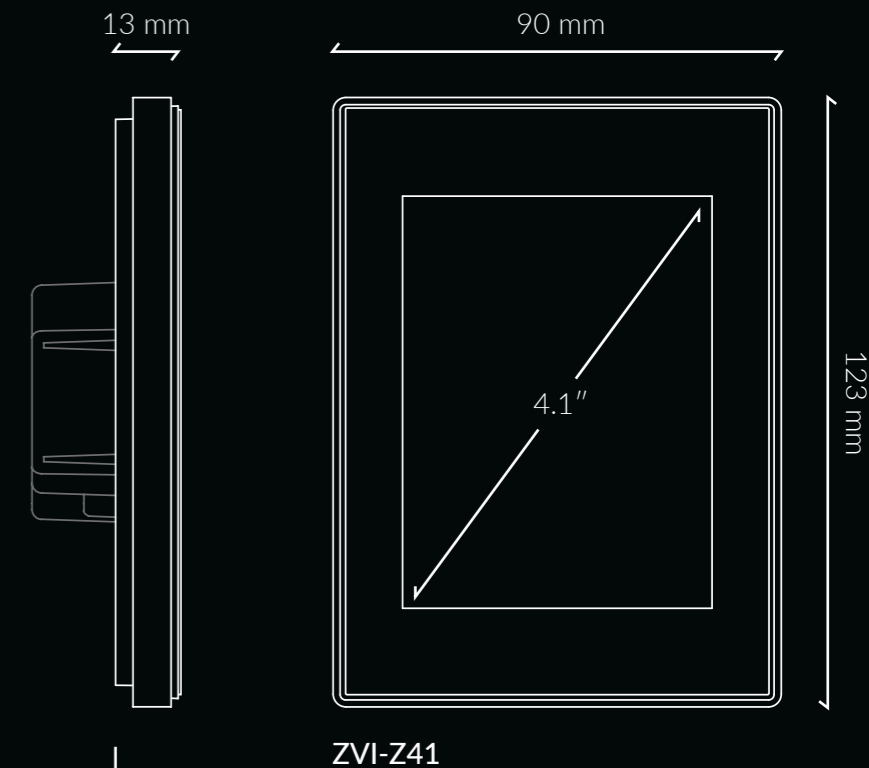
# References and specifications

	Z50	Z70	Z100
Display size	5"	7"	10"
Controls and indicators in standard pages	96	144	180
Thermostats	2	2	2
IP camera visualization	✓	✓	✓
Screensaver	✓	✓	✓
Multilanguage	✓	✓	✓
Custom icons	✓	✓	✓
Technical alarms	✓	✓	✓
Timers	✓	✓	✓
Temperature sensor	✓	✓	-
Proximity sensor	✓	✓	✓
Luminosity sensor for brightness automatic adjustment	✓	✓	✓
Available colours: anthracite, silver and white	✓	✓	✓
Analogue-digital inputs	2	4	4
Installation in European, British, Italian, American or Australian standard single back box	✓	-	-
Installation in European double or British double standard back box	-	✓	✓
Remote control (Ethernet)	Under license	Under license	Under license
Video intercom and internal calls	Under license	Under license	Under license
Voice control	Under license	Under license	Under license



# References and specifications

	Z41 Lite	Z41 Pro
Display size	4.1"	4.1"
Controls and indicators in standard pages	96	96
Thermostats	2	2
Screensaver	✓	✓
Multilanguage	✓	✓
Technical alarms	✓	✓
Timers	✓	✓
Temperature sensor	✓	✓
Colours: anthracite, silver, white	✓	✓
Polycarbonate frames: black, silver and white	✓	✓
Metallic frames: aluminium, gold, chrome and brass	✓	✓
Analogue-digital inputs	2	2
Installation in European or British back box	✓	✓
Installation in Italian, American or Australian back box	✓	✓
Remote control (Ethernet)	-	✓
Video intercom and internal calls	-	-





Z40



# Room controllers

Z40 - Z35 - Z28

Room controllers

Room controllers

32



Z28



Z35 installed in Potidea Palace Hotel (Calcidica - Greece).

33

Ultra intuitive, elegant and with an extraordinary performance

Intuitive screens with the latest capacitive technology to enjoy and obtain the highest performance in any room with a modern and elegant design. Its straight shaping fits perfectly into any deco and matches Zennio switches.

Different format,  
same functionality



## Z40

A 4.1" colour touch panel that combines with any environment, ideal to combine with Italian, American or Australian style switches.



## Z35

A 3.5" square colour touch panel to match all Zennio capacitive touch switches and achieve greater functionality in any room while maintaining aesthetic cohesion.



## Z28

A little great revolution.

This 2.8" colour touch panel is a huge revolution due to its installation in 70x70 frames, making it a compact, discreet and multi-functional solution.

# Much more than a thermostat...

Z28, Z35 and Z40 capacitive touch panels are much more than just thermostats. With multiple functionalities, they are conceived to make the most of your day to day. Whatever your option, you will be able to achieve a perfect ambience thanks to the multitude of actions: lighting scenes, HVAC and blinds control, playing music from your smartphone...



# Like if you'd always had it

Z28, Z35 and Z40 user interfaces are extremely visual and intuitive. With clear and simple home pages, you will feel totally fine using them from the first touch.



## Enjoy a perfect dream

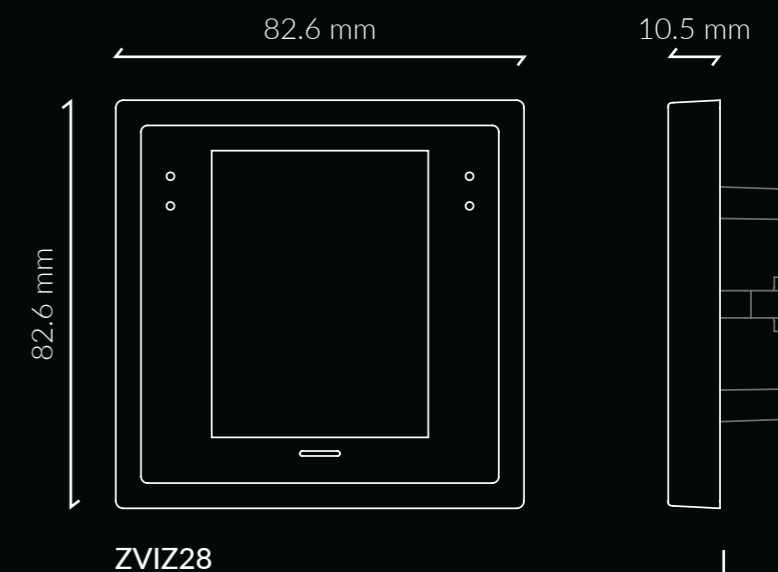
The displays adapt to ambience luminosity and user proximity.

Z28, Z35 and Z40 are smart touch displays that adapt to any scenario: with their proximity sensor the display is only active when approached for maximum comfort. While not in use, the screensaver can display a clock, a nice picture or just remain inactive, whatever you prefer! Moreover, it adapts to the ambience luminosity thanks to its luminosity sensor that dims the display.



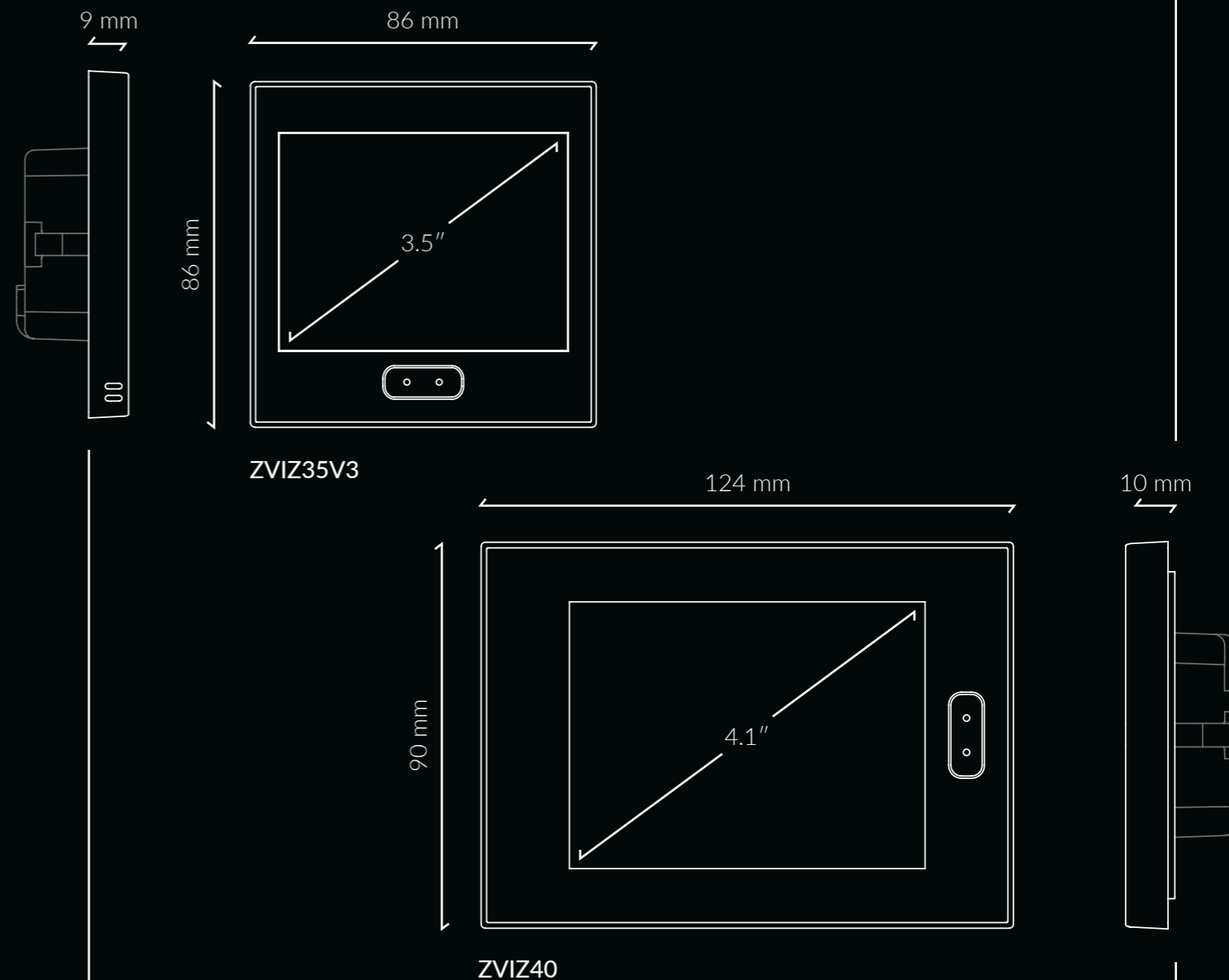
# References and specifications

	Z28	Z35	Z40
Display size	2.8"	3.5"	4.1"
Controls and indicators in standard pages	35	56	56
Thermostats	2	2	2
Installation with Zennio 70x70 frames	✓	-	-
Installation with Jung LS frames	✓	-	-
Thermostat pages	✓	✓	✓
Screensaver	✓	✓	✓
Multilanguage	✓	✓	✓
Temperature sensor	-	✓	✓
Proximity sensor	✓	✓	✓
Luminosity sensor for brightness automatic adjustment	✓	✓	✓
Humidity sensor	-	✓	-
Available colours	Anthracite, silver and white	Anthracite, silver and white	Anthracite, silver and white
Analogue-digital inputs for motion sensors, temperature probe or potential-free contacts	2	4	4
Installation in European or British back box	✓	✓	✓
Installation in Italian, American or Australian back box	-	-	✓



# References and specifications

	Z28	Z35	Z40
Display size	2.8"	3.5"	4.1"
Controls and indicators in standard pages	35	56	56
Thermostats	2	2	2
Installation with Zennio 70x70 frames	✓	-	-
Installation with Jung LS frames	✓	-	-
Thermostat pages	✓	✓	✓
Screensaver	✓	✓	✓
Multilanguage	✓	✓	✓
Temperature sensor	-	✓	✓
Proximity sensor	✓	✓	✓
Luminosity sensor for brightness automatic adjustment	✓	✓	✓
Humidity sensor	-	✓	-
Available colours	Anthracite, silver and white	Anthracite, silver and white	Anthracite, silver and white
Analogue-digital inputs for motion sensors, temperature probe or potential-free contacts	2	4	4
Installation in European or British back box	✓	✓	✓
Installation in Italian, American or Australian back box	-	-	✓





Flat 55



Flat



Flat XL

# Capacitive panels

Flat 55 - Flat - Flat XL  
Flat Sensato - Flat Ambient

Unique flat designs for  
a distributed control

Glass capacitive switches, fully customizable according to your own style so you can choose the buttons and functions that you need in each room. Do you want it with or without a display? How many buttons? From a minimalistic design to a fully personalized one, pick the one that better meets your requirements. With backlit icons according to ambience luminosity so you can enjoy a relaxing and pleasing environment.

# Infinite combinations

The perfect quality of glass and all the possibilities of personalization. Combine them however you want with the electrical accessories family, all flush fitted into 55x55 frames.



## Flat 55

1, 2 or 4 buttons with backlit icons in a compact format for lighting, blinds or any other functionality.



## Flat 55 Display

A unique design with a circular display. An elegant and discreet thermostat for an increased room comfort.





# Your bespoke switch

## Flat

Choose the number of buttons, 1, 2, 4 or 6, choose the backlit icons for each function according to your requirements and make it bespoke to control whatever you want in a quick and direct way.

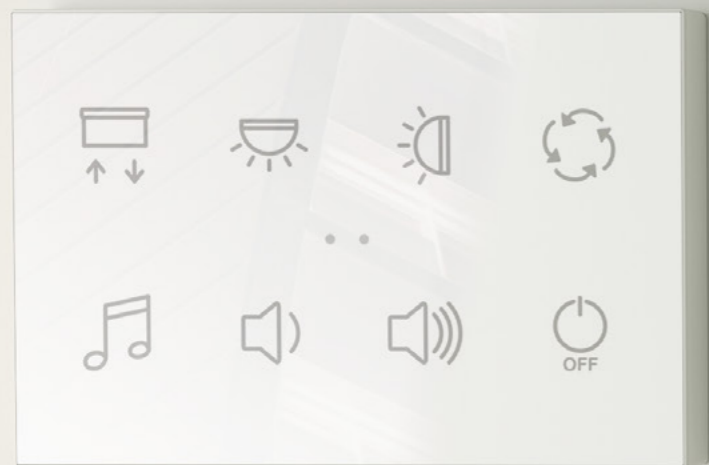
## Flat Display

A 2.4" display to show the status of the space where its placed plus 5 buttons to make it the perfect thermostat.



# Flat XL

All the Flat family capabilities in a switch with greater possibilities: 4, 6, 8 or up to 10 buttons with backlit icons. It fits Italian, American or Australian styles... but over all it fits your own personal style.



# Infinite options, unique results

Pick between the minimalistic standard designs or make your own bespoke design with the glass finish and backlit icons elegance and quality.



# Complete the family while maintaining aesthetics

Aesthetic cohesion is key for room harmony. The Flat family is completed with two devices that maintain the family looks adding unique value.

## Flat Sensato

An environment with humidity control allows an optimal air quality, increasing comfort for those who want to control and improve every aspect of their lives.



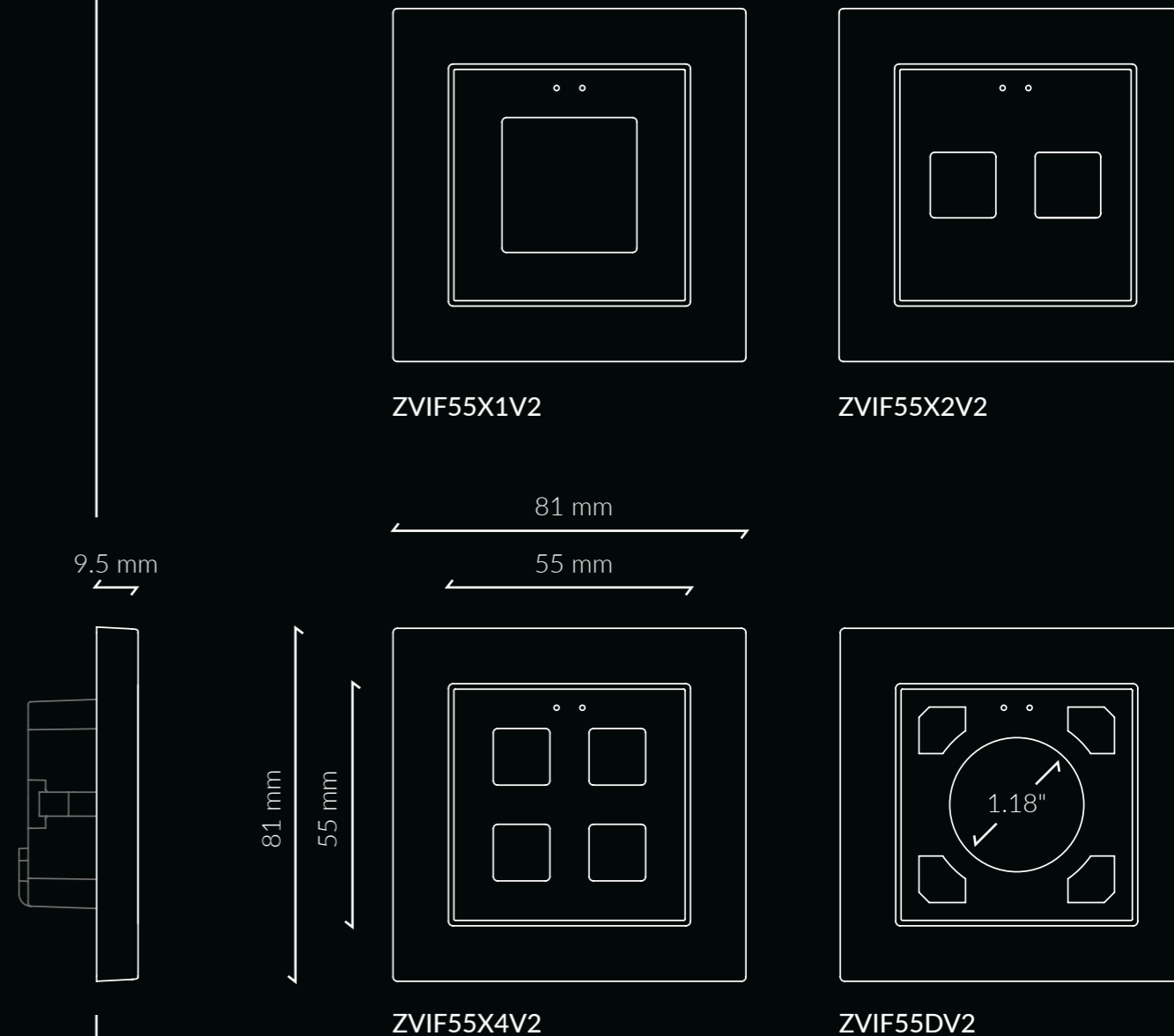
## Flat AmbientT

For those rooms where only temperature reading is required while keeping the characteristic elegance of the Flat family.



# References and specifications

	Flat 55	Flat 55 Display
Backlit icons	✓	✓
Luminosity sensor for brightness automatic adjustment	✓	✓
Proximity sensor	✓	✓
Thermostat	✓	✓
In-built temperature sensor	-	-
Installation in European standard mounting box	✓	✓
Installation in Italian, American or Australian standard mounting box	-	-
Combination with 55x55 series switches and sockets	✓	✓
Housing available in 4 colours (anthracite/silver/white)	✓	✓
Customizable	✓	✓
Number of buttons	1/2/4	4
Backlit display	-	✓
2 analogue-digital inputs	✓	✓
Vertical or horizontal installation	✓	-

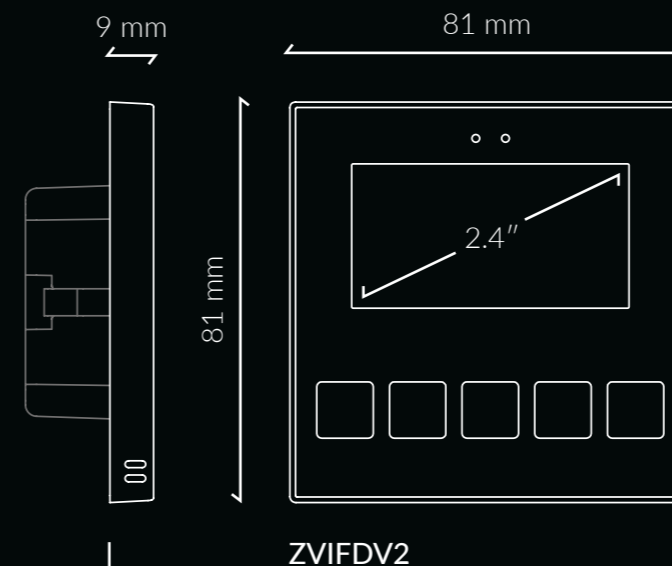


# References and specifications

Capacitive panels

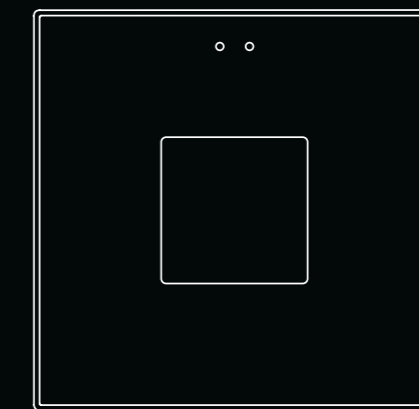
58

	Flat	Flat Display	Flat XL
Backlit icons	✓	✓	✓
Luminosity sensor for brightness automatic adjustment	✓	✓	✓
Proximity sensor	✓	✓	✓
Humidity sensor	-	✓	-
Thermostat	✓	✓	✓
In-built temperature sensor	✓	✓	✓
Installation in European or British standard mounting box	✓	✓	✓
Installation in Italian, American or Australian standard mounting box	-	-	✓
Combination with 55x55 series switches and sockets	-	-	-
Housing available in 4 colours (anthracite/silver/white)	✓	✓	✓
Customizable	✓	✓	✓
Number of buttons	1/2/4/6	5	4/6/8/10
Backlit display	-	✓	-
2 analogue-digital inputs	✓	✓	✓
Vertical or horizontal installation	✓	-	✓

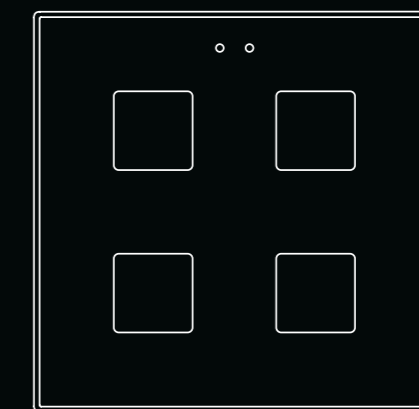
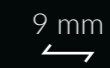
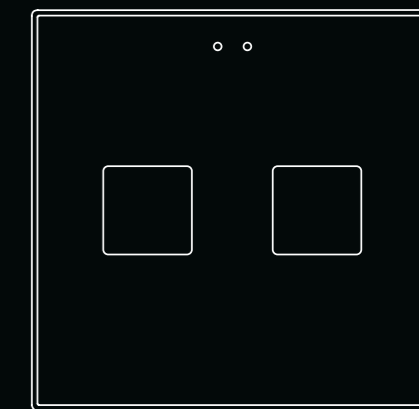


ZVIFDV2

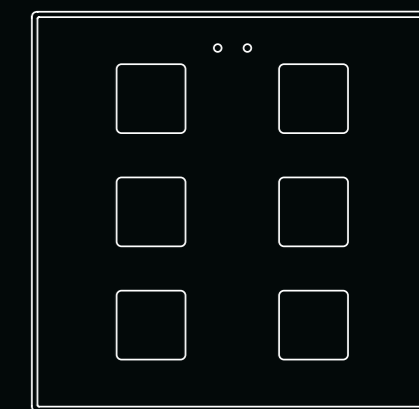
ZVIF1V2



ZVIF2V2



ZVIF4V2



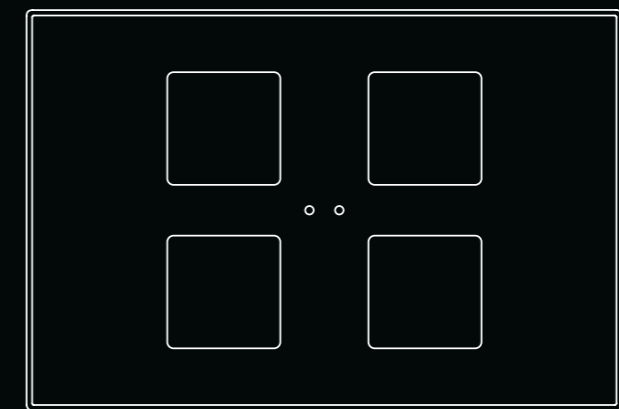
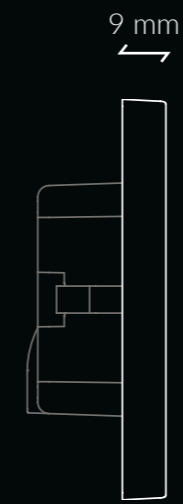
ZVIF6V2

Capacitive panels

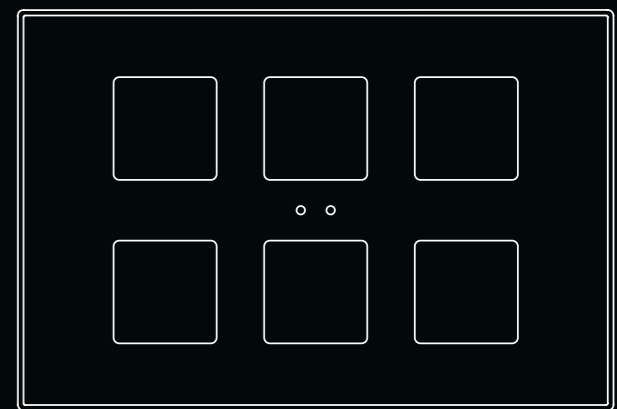
59

# References and specifications

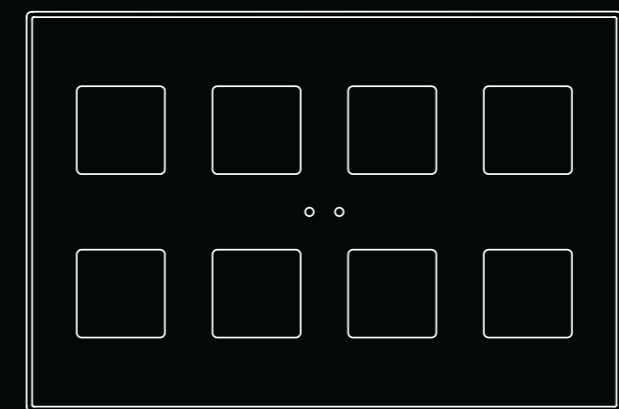
	Flat	Flat Display	Flat XL
Backlit icons	✓	✓	✓
Luminosity sensor for brightness automatic adjustment	✓	✓	✓
Proximity sensor	✓	✓	✓
Humidity sensor	-	✓	-
Thermostat	✓	✓	✓
In-built temperature sensor	✓	✓	✓
Installation in European or British standard mounting box	✓	✓	✓
Installation in Italian, American or Australian standard mounting box	-	-	✓
Combination with 55x55 series switches and sockets	-	-	-
Housing available in 4 colours (anthracite/silver/white)	✓	✓	✓
Customizable	✓	✓	✓
Number of buttons	1/2/4/6	5	4/6/8/10
Backlit display	-	✓	-
2 analogue-digital inputs	✓	✓	✓
Vertical or horizontal installation	✓	-	✓



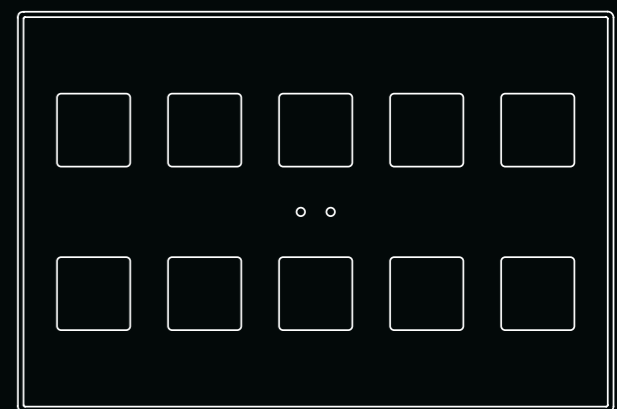
ZVIFXLX4



ZVIFXLX6



ZVIFXLX8



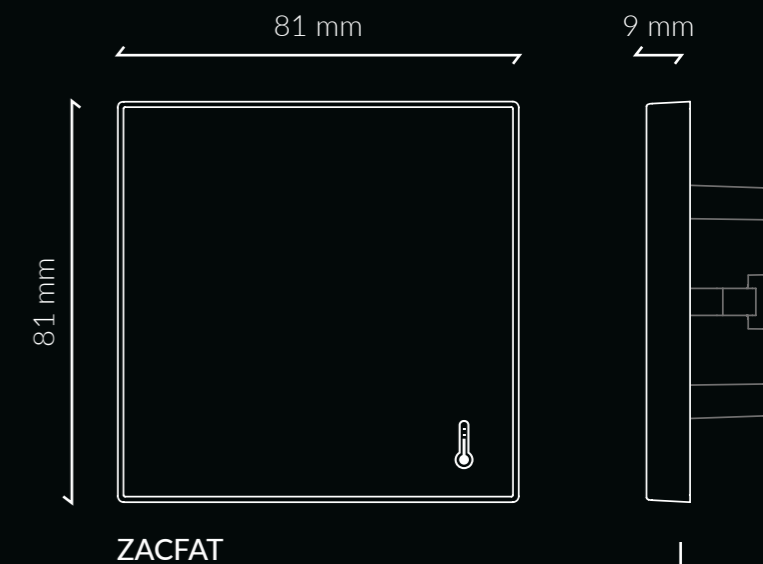
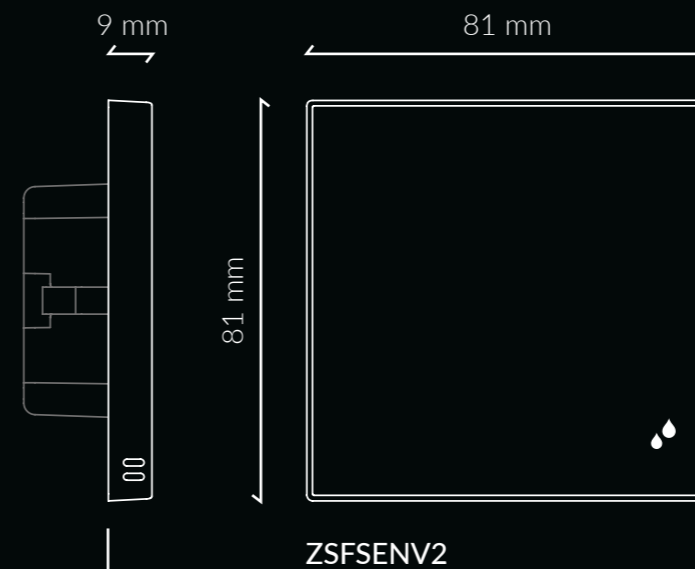
ZVIFXLX10

120 mm

82 mm

# References and specifications

	Flat Sensato	Flat AmbienT
Humidity sensor	✓	-
In-built temperature sensor	✓	✓
Installation in European or British standard mounting box	✓	✓
Installation in Italian, American or Australian standard mounting box	-	-
Combination with 55x55 series switches and sockets	-	-
Customizable	-	-
Housing available in 4 colours (anthracite/silver/white)	✓	✓
2 analogue-digital inputs	✓	-
Vertical or horizontal installation	-	-
KNX bus connection	✓	-





# Capacitive touch switches

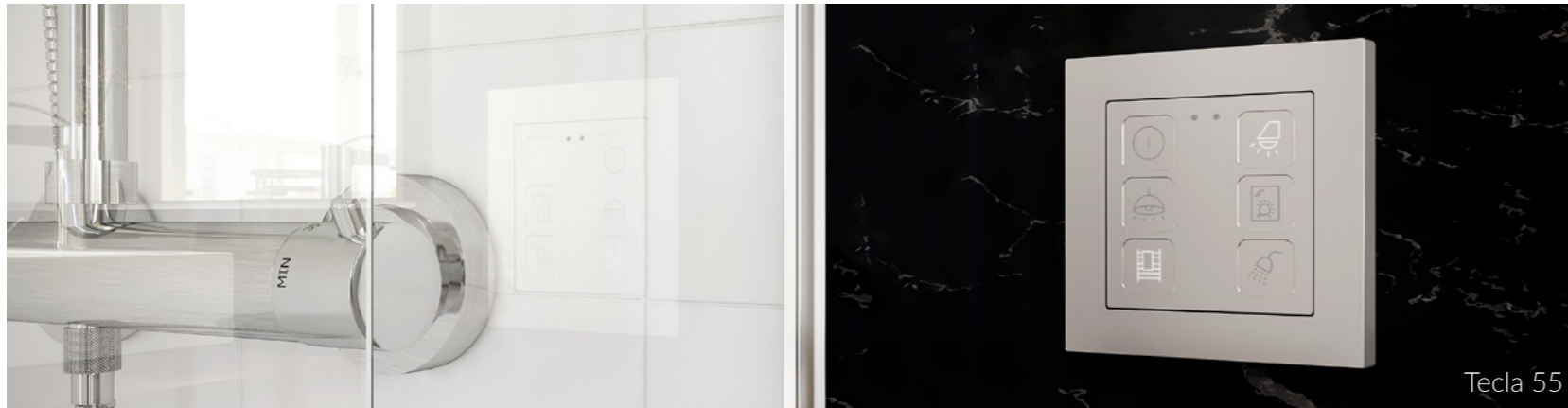
Tecla X - Tecla 55 - Tecla XL

The most versatile control with the most minimalistic design

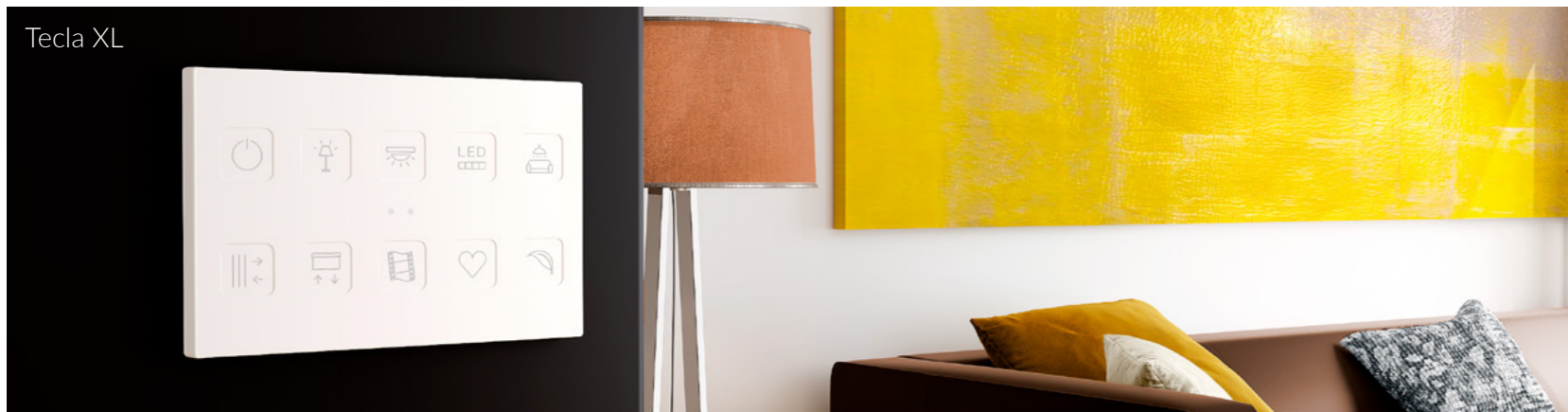
Enjoy distributed control with the Tecla family to meet all your requirements. Its polycarbonate simplified aesthetics with a complete range of backlit icons allows for a one of a kind user experience. Tecla brings simplicity to another level offering a discreet integration into any environment.



Tecla



Tecla 55



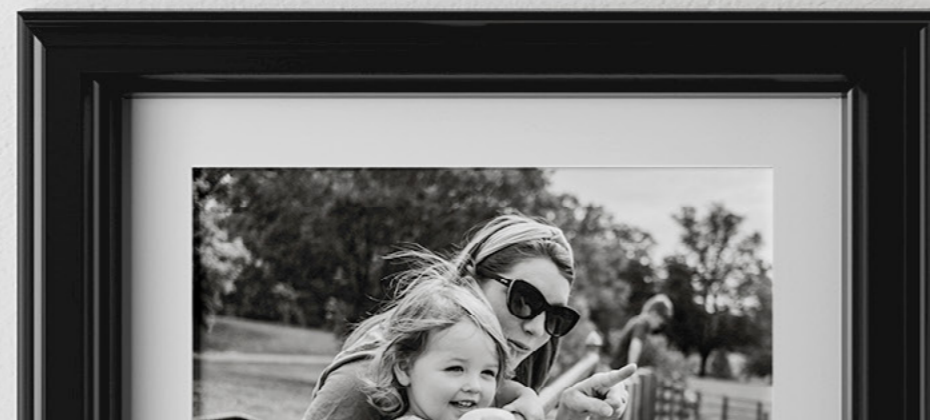
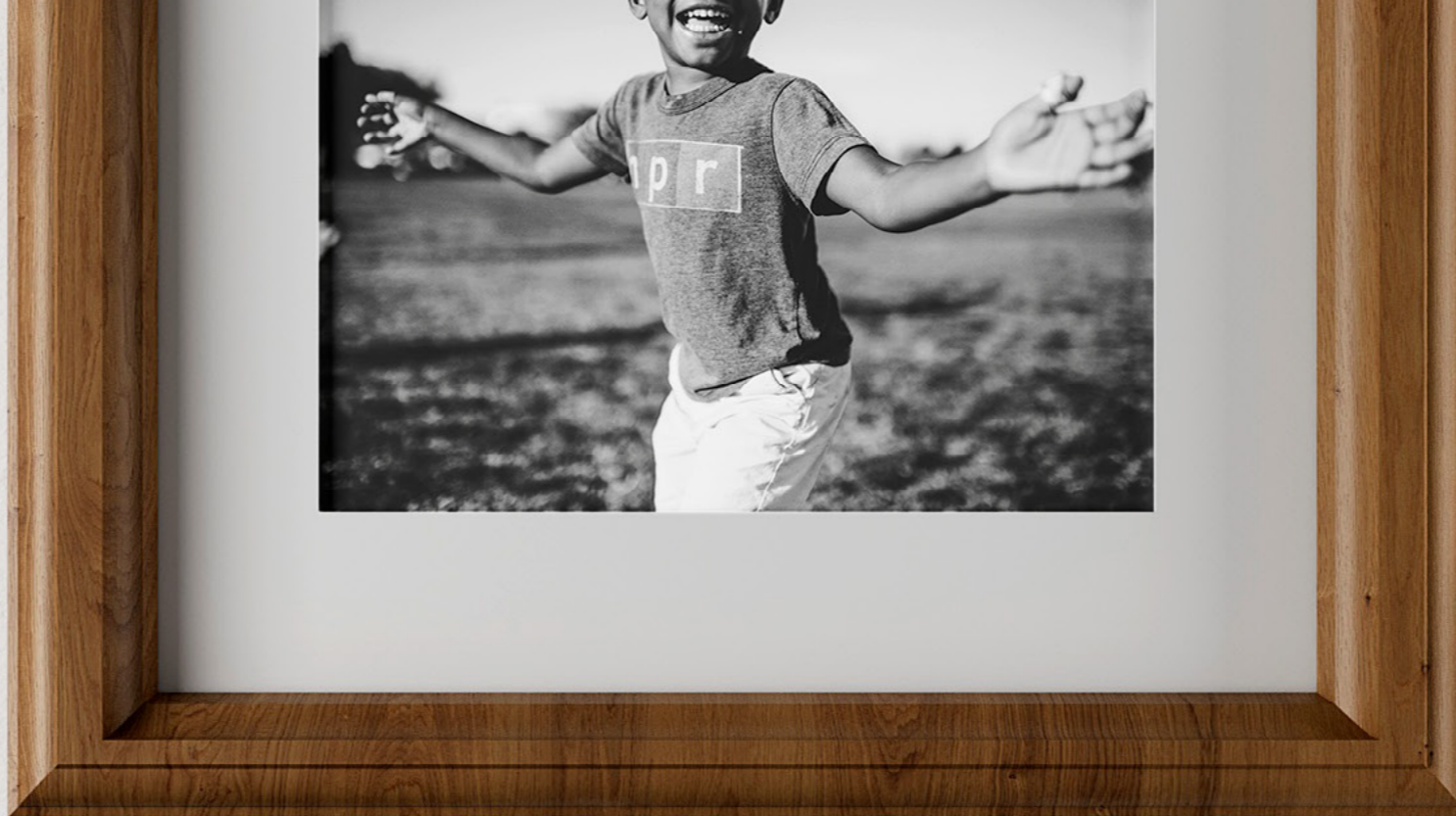
Tecla XL

# Tecla

Experience the elegance and versatility of the 1, 2, 4, 6 and 8-button touch switches with fully customizable back-lit icons.

Be Smart, be intuitive.

The perfect option to simplify your life in style.



# Tecla 55

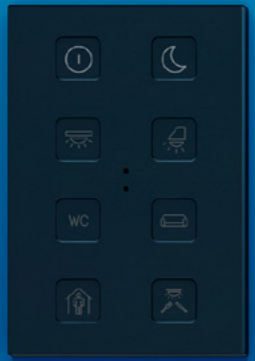
1, 2, 4 and 6-button touch switches to replace conventional switches and increase control options while reducing the required space. A perfect combination and integration with 55x55 flush-fitted sockets and accessories.



# Tecla XL

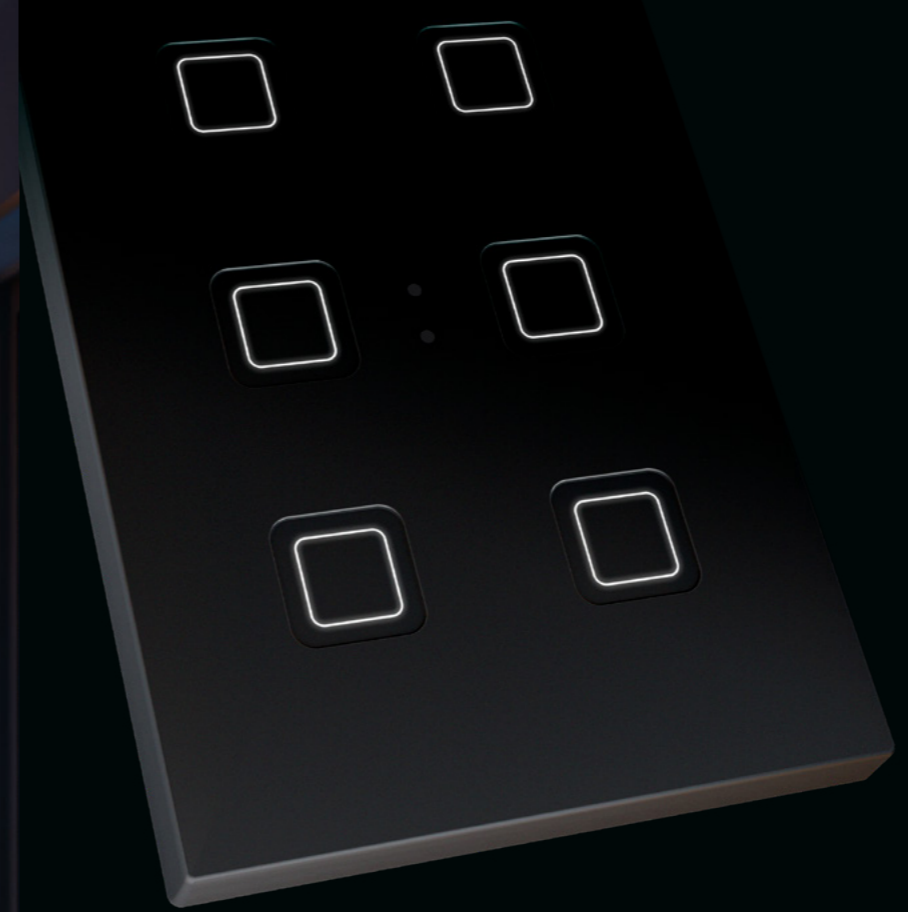
4, 6, 8 and 10-button touch switches in rectangular format with a minimalistic design to meet every deco.





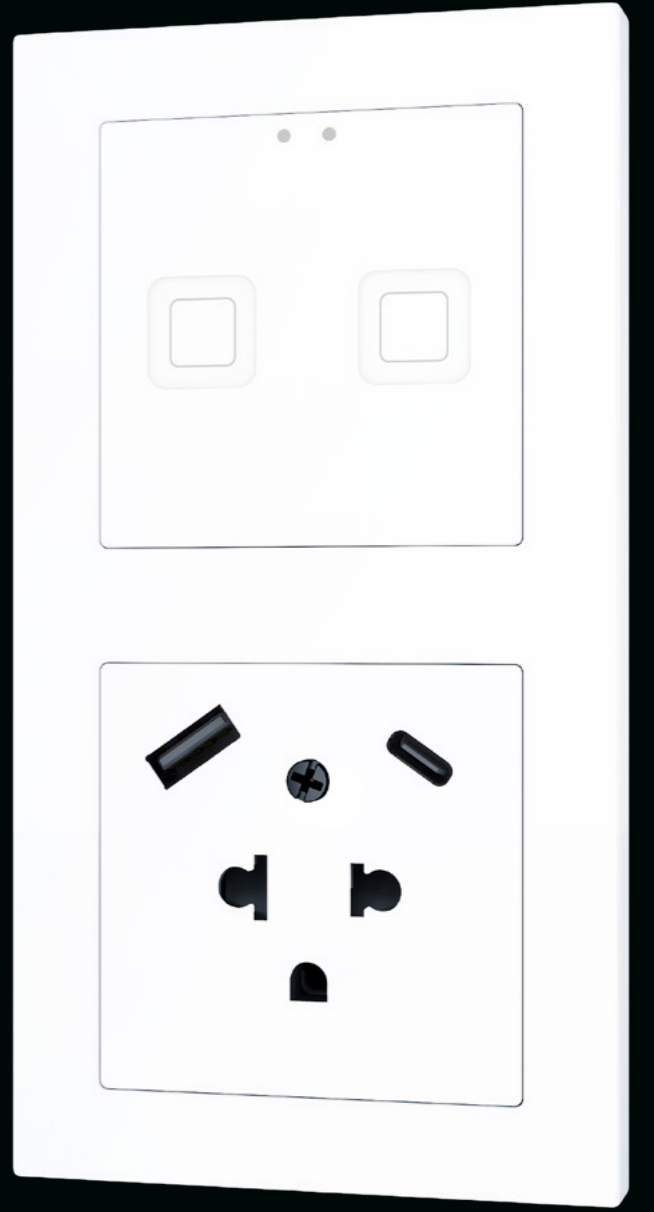
## Bespoke functionality

A full range of backlit icons to show the different functions each button controls. Buttons become brighter when approached to show every available control option and dim when you move away.



## The simplicity of standard

Minimalistic, sophisticated and timeless. Standard options fit every environment. Neutral designs that integrate perfectly into any space.



# Tecla 55 X2 Sign

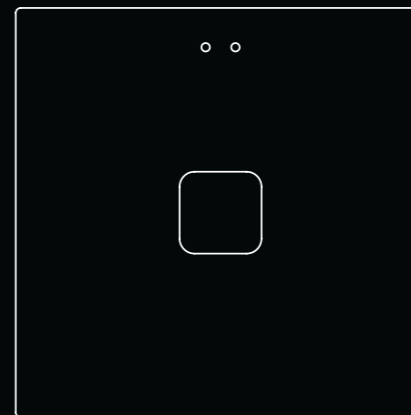
Room signalling and status selection device that allows to show guest preferences for making up the room or privacy in an intuitive, simple and elegant way.

When located outside the room it will let the hotel staff know the DND/MUR status selected by the guest as well as if the guest is currently inside the room.

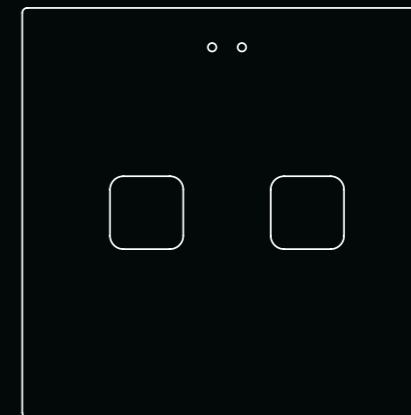


# References and specifications

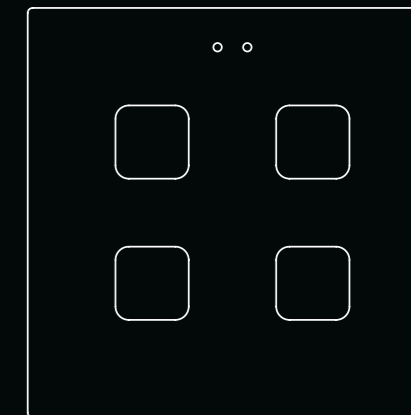
	Tecla	Tecla 55	Tecla XL
Customizable backlit icons	✓	✓	✓
Luminosity sensor for brightness automatic adjustment	✓	✓	✓
Proximity sensor	✓	✓	✓
Thermostat	✓	✓	✓
Temperature sensor	In-built	Input for sensor	In-built
Installation in European standard mounting box	✓	✓	✓
Installation in Italian, American or Australian standard mounting box	-	-	✓
Combination with 55x55 series switches and sockets	-	✓	-
3 colours available (anthracite/silver/white)	✓	✓	✓
Number of buttons	1/2/4/6/8	1/2/4/6	4/6/8/10
Vertical or horizontal installation	✓	✓	✓



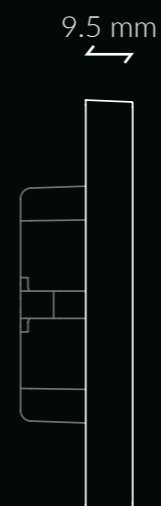
ZVIT1



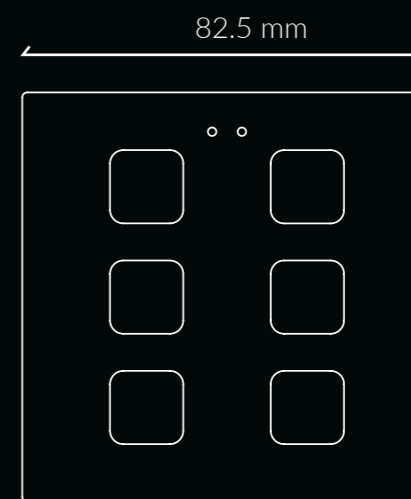
ZVIT2



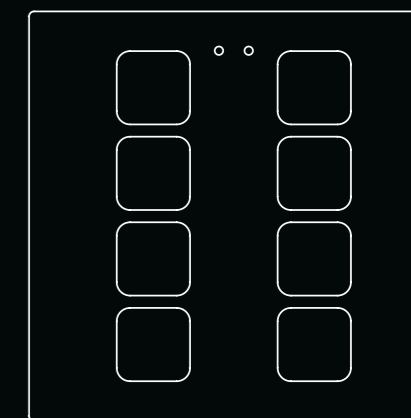
ZVIT4



9.5 mm



ZVIT6



ZVIT8

# References and specifications

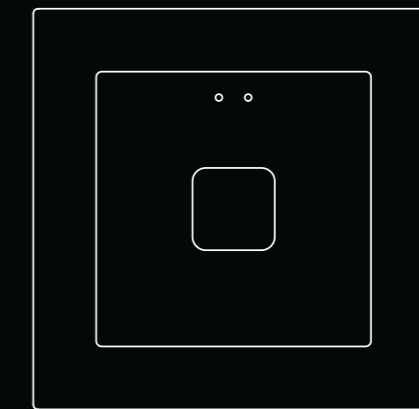
	Tecla	Tecla 55	Tecla XL
Customizable backlit icons	✓	✓	✓
Luminosity sensor for brightness automatic adjustment	✓	✓	✓
Proximity sensor	✓	✓	✓
Thermostat	✓	✓	✓
Temperature sensor	In-built	Input for sensor	In-built
Installation in European standard mounting box	✓	✓	✓
Installation in Italian, American or Australian standard mounting box	-	-	✓
Combination with 55x55 series switches and sockets	-	✓	-
3 colours available (anthracite/silver/white)	✓	✓	✓
Number of buttons	1/2/4/6/8	1/2/4/6	4/6/8/10
Vertical or horizontal installation	✓	✓	✓

9.5 mm



81 mm

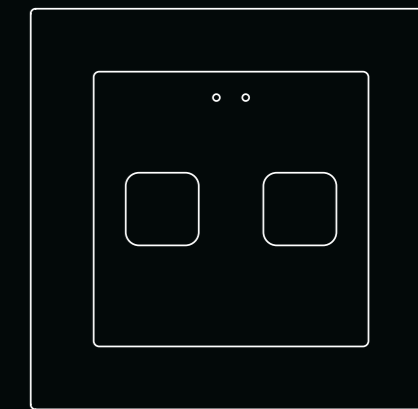
55 mm



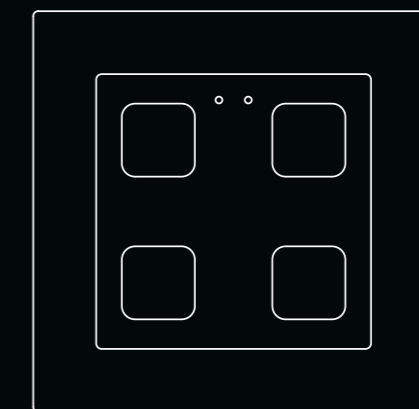
ZVIT55X1

81 mm

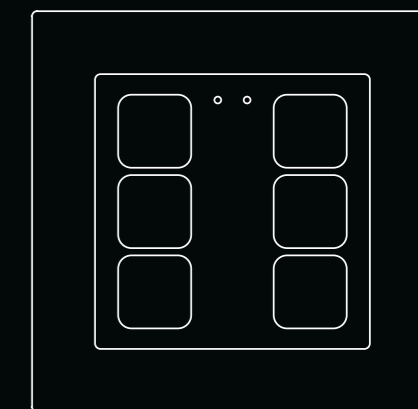
55 mm



ZVIT55X2



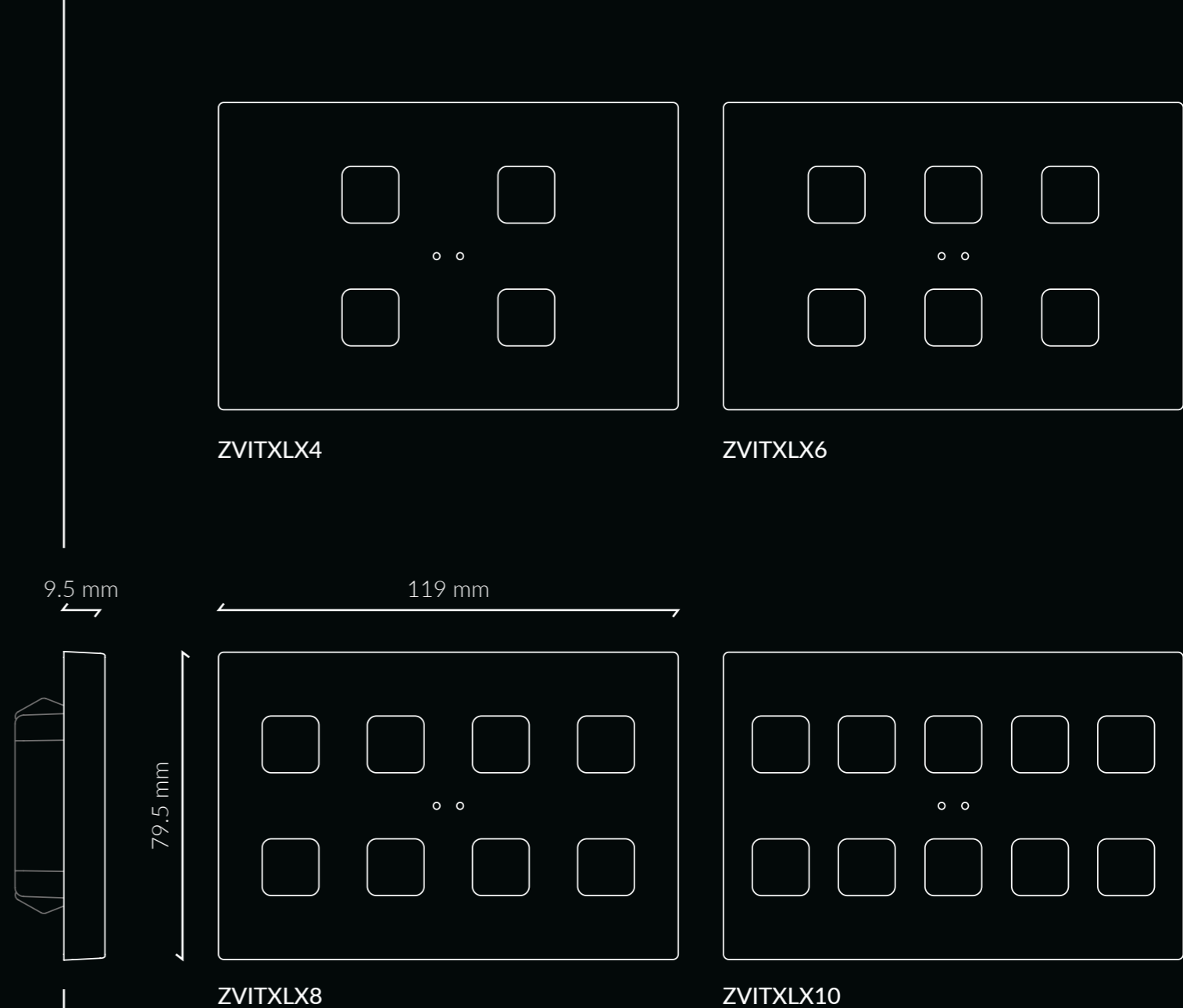
ZVIT55X4



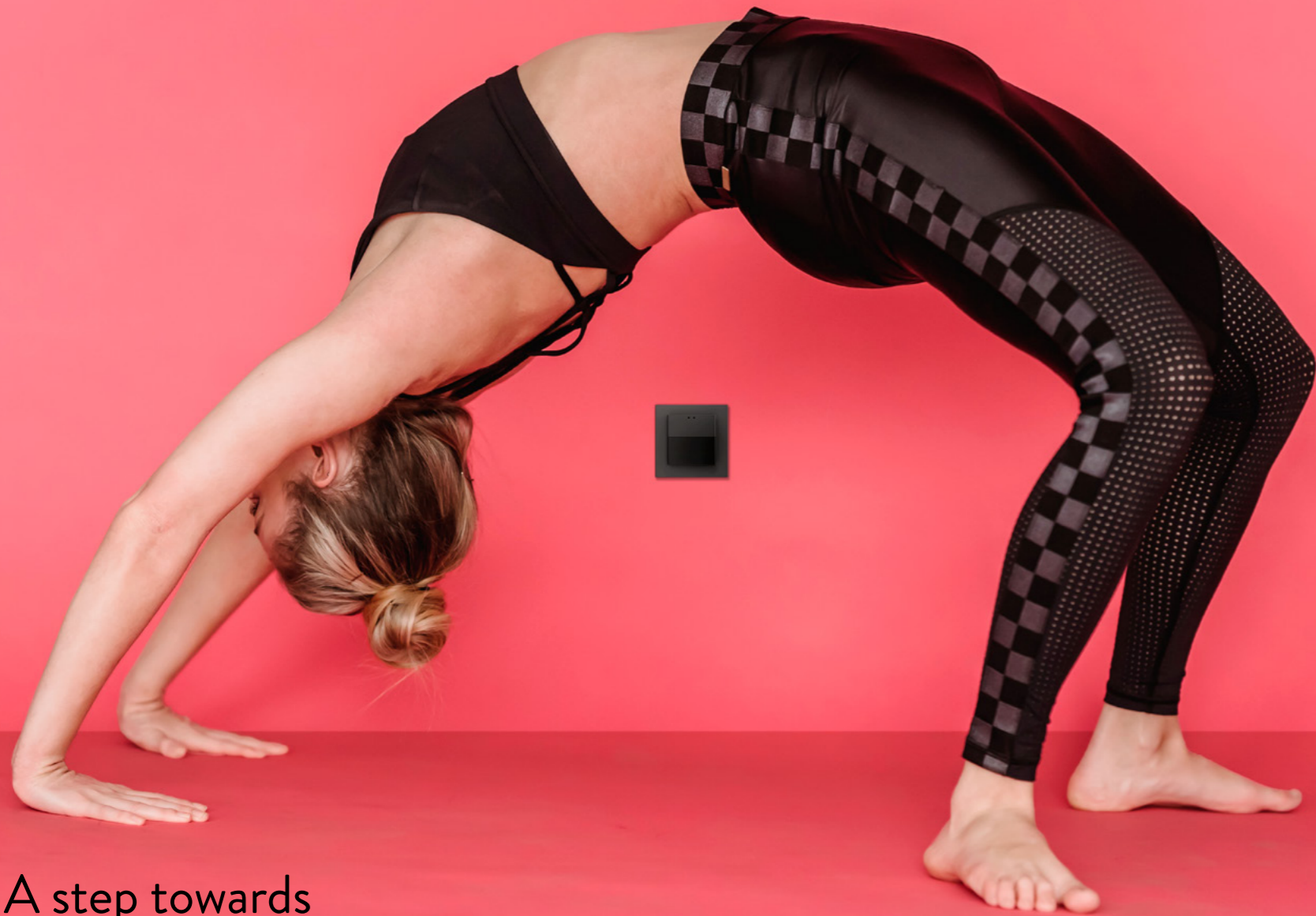
ZVIT55X6

# References and specifications

	Tecla	Tecla 55	Tecla XL
Customizable backlit icons	✓	✓	✓
Luminosity sensor for brightness automatic adjustment	✓	✓	✓
Proximity sensor	✓	✓	✓
Thermostat	✓	✓	✓
Temperature sensor	In-built	Input for sensor	In-built
Installation in European standard mounting box	✓	✓	✓
Installation in Italian, American or Australian standard mounting box	-	-	✓
Combination with 55x55 series switches and sockets	-	✓	-
3 colours available (anthracite/silver/white)	✓	✓	✓
Number of buttons	1/2/4/6/8	1/2/4/6	4/6/8/10
Vertical or horizontal installation	✓	✓	✓







A step towards  
ambient intelligence

# Wall-mounted motion detector

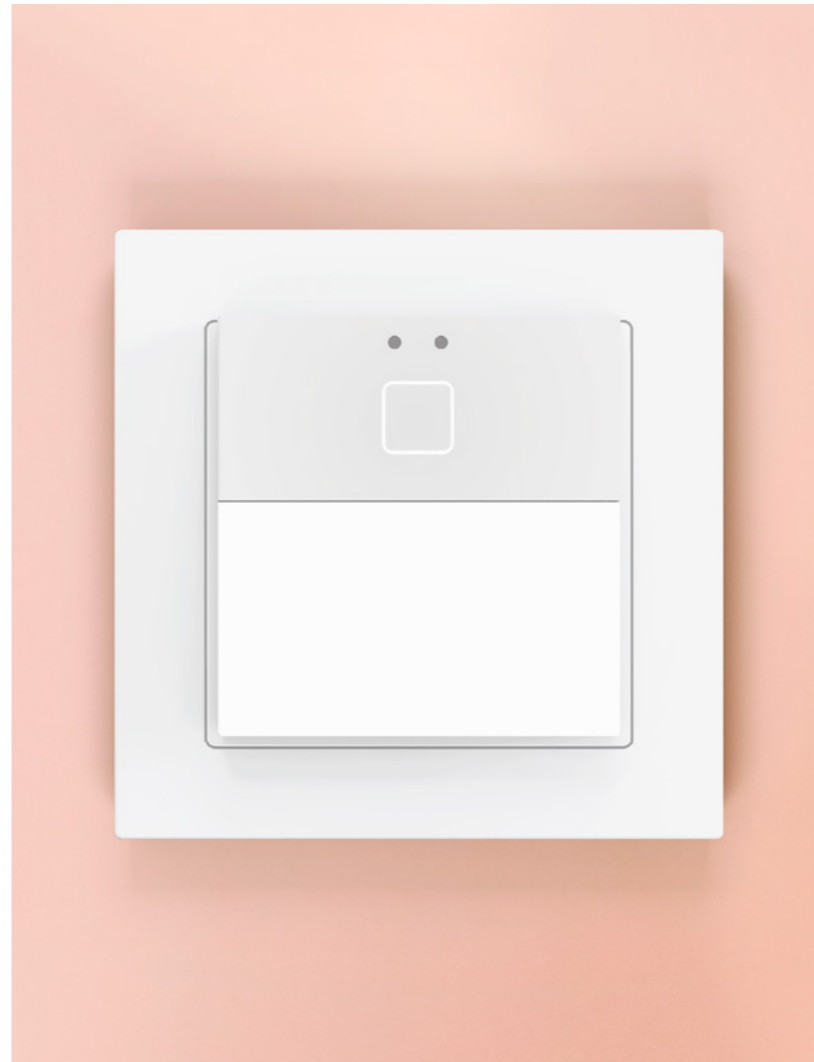
Presentia W

Run any desired function with just moving thanks to the 180° wall-mounted motion detector. Combine it with switches and electrical accessories and it will be discreetly integrated in any ambience.



## Guaranteed discretion

An elegant option for rooms or corridors thanks to its seamless integration with the Tecla 55 and Flat 55 families as well as the ZS55 electrical accessories range.



## Much more than a motion detector

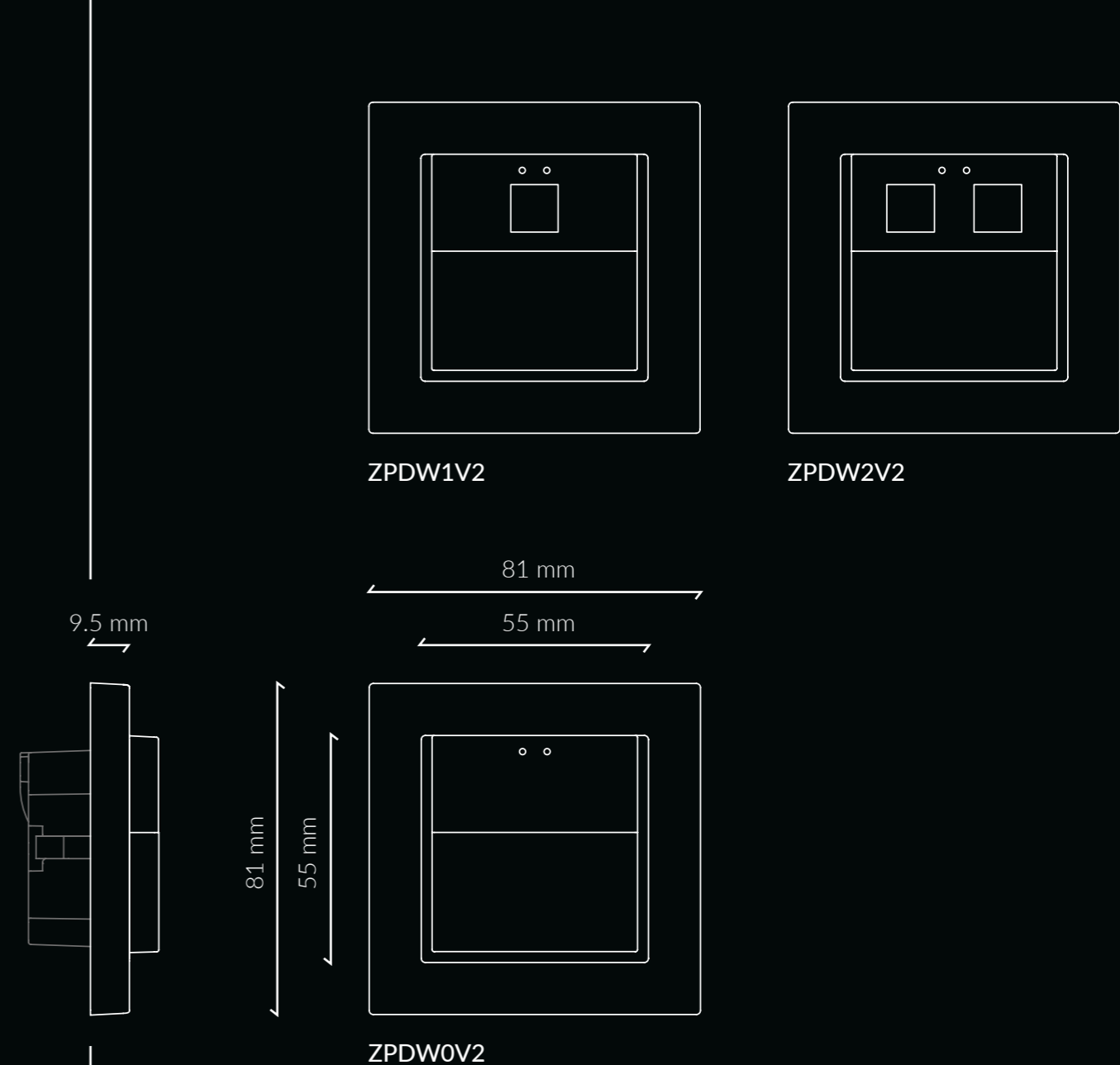
Control any function with the additional backlit buttons in Presentia W1 and Presentia W2 models.

Choose between personalized or standard icons according to your control requirements.



# References and specifications

	Presentia W0	Presentia W1	Presentia W2
Maximum detection length	10 m	10 m	10 m
Detection area	180°	180°	180°
Number of buttons	-	1	2
Customizable backlit icons	-	✓	✓
Luminosity sensor for brightness automatic adjustment	✓	✓	✓
Proximity sensor	-	✓	✓
Installation in European standard mounting box	✓	✓	✓
Installation in Italian, American or Australian standard mounting box	-	-	-
Combination with 55x55 series switches and sockets	✓	✓	✓
3 colours available (anthracite/silver/white)	✓	✓	✓





# Switches and sockets

ZS55

Complete your smart home installation with the electrical accessories that better combine with the touch panels, displays and touch switches. With timeless designs and flush-fitted into the frames. Combine them as you wish.

# Sockets



Schuko



French



Euro-American



Single push-button



Double push button

# Switches

# USB Charger



Double USB charger

Switches and sockets  
90

# Data outlets



Single RJ45



Double RJ45

Switches and sockets  
91

# Multimedia outlets



3.5 mm Jack and RCA



TV-R Aerial

# Accessories



Blind cover and cable outlet

Switches and sockets

94



1, 2, 3 and 4-module frames

# Frames



Switches and sockets

95



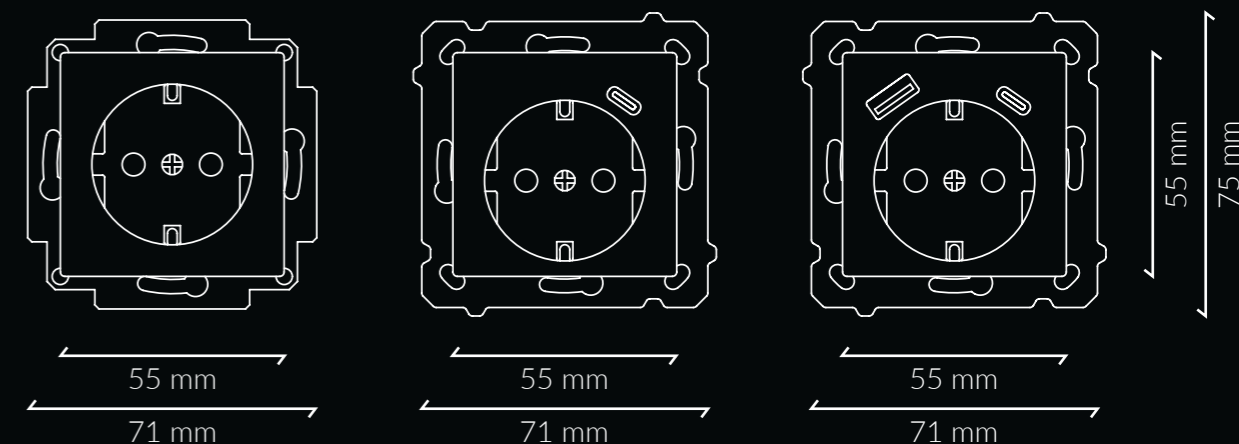
# References and specifications

	Schuko
Schuko socket insert 16 A / 250 V ~ - screw terminals (without cover 8300004xx)	8300003
Schuko socket cover 55x55 mm - Anthracite	830000405
Schuko socket cover 55x55 mm - Silver	830000406
Schuko socket cover 55x55 mm - Matt white	830000409
Schuko socket cover 55x55 mm - Gloss White	830000408

	Schuko with USB C
Schuko socket insert 16 A / 250 V ~ with USB C - quick connection (without cover ZS55CSC1USx)	ZS55ISC1US
Schuko socket cover with USB C 55x55 mm - Anthracite	ZS55CSC1USA
Schuko socket cover with USB C 55x55 mm - Silver	ZS55CSC1USS
Schuko socket cover with USB C 55x55 mm - Matt white	ZS55CSC1USMW

	Schuko with USB C+A
Schuko socket insert 16 A / 250 V ~ with USB C and A - quick-connect terminals (without cover ZS55CSC2USx)	ZS55ISC2US
Schuko socket cover with USB C and A 55x55 mm - Anthracite	ZS55CSC2USA
Schuko socket cover with USB C and A 55x55 mm - Silver	ZS55CSC2USS
Schuko socket cover with USB C and A 55x55 mm - Matt white	ZS55CSC2USMW

	Schuko	Schuko with USB C	Schuko with USB C+A
Colours: anthracite, silver and white	✓	✓	✓
Socket type	F, C	F, C	F, C
Rated current / voltage	16 A / 250 V ~	16 A / 250V ~	16 A / 250V ~
Maximum cable cross-section	2.5 mm <sup>2</sup>	2.5 mm <sup>2</sup>	2.5 mm <sup>2</sup>
Connection method	Screw terminal block	Quick-connect terminals	Quick-connect terminals
Fixing mechanism	With screws. Optional claws	With screws. Optional claws	With screws. Optional claws
Child safety shutter	✓	✓	✓
USB type	-	C	A + C
USB charging current	-	2.4 A - 5 V (12 W) / 1.67 A - 9 V (15 W)	2.4 A - 5 V (12 W)
Fast Charging	-	✓	-
Norm	IEC 60884-1	IEC 60884-3-1	IEC 60884-3-1



# References and specifications

## French

French socket insert 16 A / 250 V ~ - screw terminals (without cover 8300006xx)	8300005
French socket cover 55x55 mm - Anthracite	830000605
French socket cover 55x55 mm - Silver	830000606
French socket cover 55x55 mm - Matt white	830000609
French socket cover 55x55 mm - Gloss White	830000608

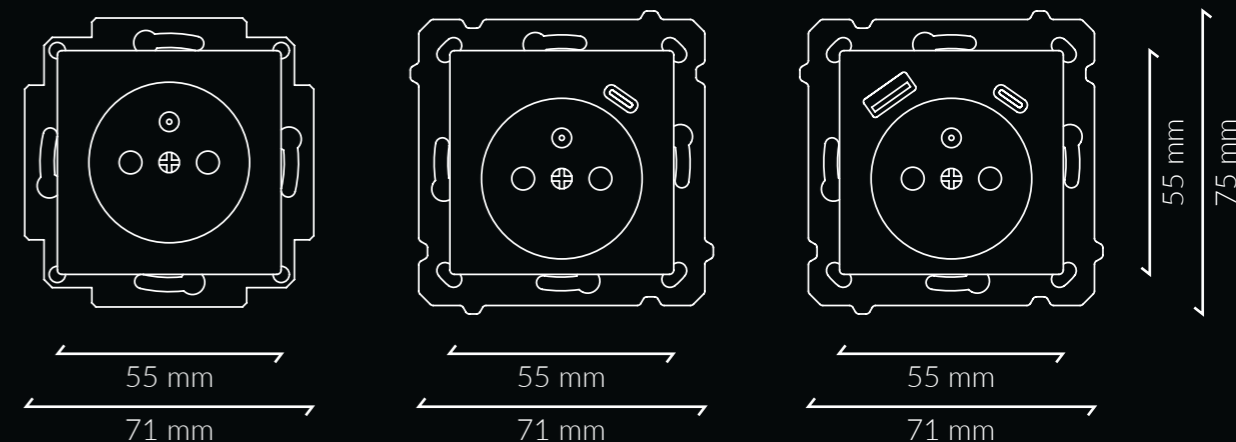
## French with USB C

French socket insert 16 A / 250 V ~ with USB C - quick connection (without cover ZS55CF1USx)	ZSIF1US
French socket cover with USB C 55x55 mm - Anthracite	ZS55CF1USA
French socket cover with USB C 55x55 mm - Silver	ZS55CF1USS
French socket cover with USB C 55x55 mm - Matt white	ZS55CF1USMW

## French with USB C + A

French socket insert 16 A / 250 V ~ with USB C and A - quick-connect terminals (without cover ZS55CF2USx)	ZSIF2US
French socket cover with USB C and A 55x55 mm - Anthracite	ZS55CF2USA
French socket cover with USB C and A 55x55 mm - Silver	ZS55CF2USS
French socket cover with USB C and A 55x55 mm - Matt white	ZS55CF2USMW

	French	French with USB C	French with USB C + A
Colours: anthracite, silver and white	✓	✓	✓
Socket type	E, C	E, C	E, C
Rated current / voltage	16 A / 250 V ~	16 A / 250 V ~	16 A / 250 V ~
Maximum cable cross-section	2.5 mm <sup>2</sup>	2.5 mm <sup>2</sup>	2.5 mm <sup>2</sup>
Connection method	Screw terminal block	Quick-connect terminals	Quick-connect terminals
Fixing mechanism	With screws. Optional claws	With screws. Optional claws	With screws. Optional claws
Child safety shutter	✓	✓	✓
USB type	-	C	A + C
USB charging current	-	2.4 A - 5 V (12 W) / 1.67 A - 9 V (15 W)	2.4 A - 5 V (12 W)
Fast Charging	-	✓	-
Norm	IEC 60884-1	IEC 60884-3-1	IEC 60884-3-1



# References and specifications

## Euro-American

Euro-American socket insert - screw terminals (without cover ZS55CEUAx)	ZS55IEUAS
Euro-American socket cover 55x55 mm - Anthracite	ZS55CEUAA
Euro-American socket cover 55x55 mm - Silver	ZS55CEUAS
Euro-American socket cover 55x55 mm - Matt white	ZS55CEUAW

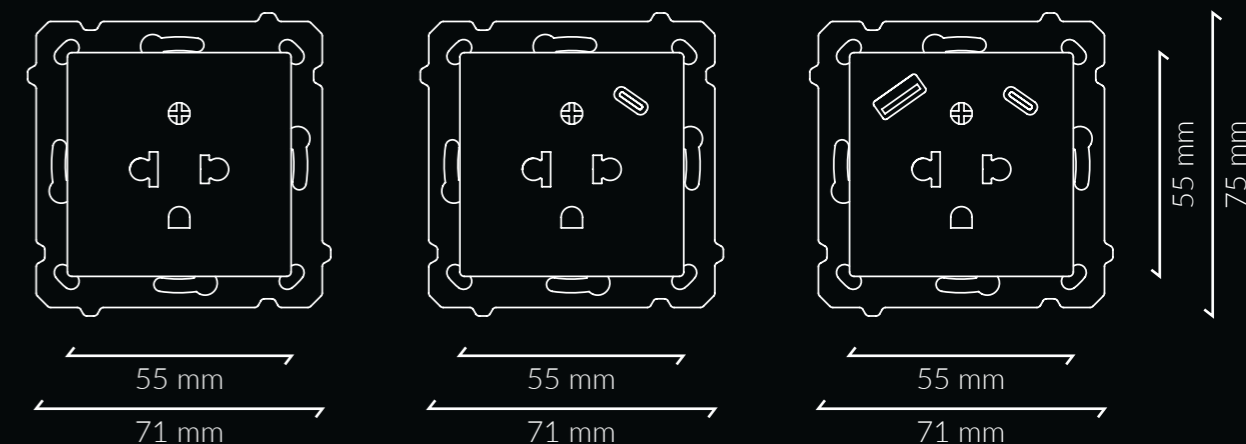
## Euro-American with USB C

Euro-American socket insert with USB C - screw terminals (without cover ZS55CEAU1USx)	ZS55IEUA1US
Euro-American socket cover with USB C 55x55 mm - Anthracite	ZS55CEUA1USA
Euro-American socket cover with USB C 55x55 mm - Silver	ZS55CEUA1USS
Euro-American socket cover with USB C 55x55 mm - Matt white	ZS55CEUA1USW

## Euro-American with USB C+A

Euro-American socket insert with USB C and A - screw terminals (without cover ZS55CEAU2USx)	ZS55IEUA2US
Euro-American socket cover with USB C and A 55x55 mm - Anthracite	ZS55CEUA2USA
Euro-American socket cover with USB C and A 55x55 mm - Silver	ZS55CEUA2USS
Euro-American socket cover with USB C and A 55x55 mm - Matt white	ZS55CEUA2USW

	Euro-American	Euro-American with USB C	Euro-American with USB C+A
Colours: anthracite, silver and matt white	✓	✓	✓
Socket type	C, F (European) A, B (American)	C, F (European) A, B (American)	C, F (European) A, B (American)
Rated current / voltage	16 A / 110 – 250V ~	16 A / 110 – 250V ~	16 A / 110 – 250V ~
Maximum cable cross-section	2.5 mm <sup>2</sup>	2.5 mm <sup>2</sup>	2.5 mm <sup>2</sup>
Connection method	Screw terminal block	Screw terminal block	Screw terminal block
Fixing mechanism	With screws. Optional claws	With screws. Optional claws	With screws. Optional claws
Child safety shutter	✓	✓	✓
USB type	-	C	A + C
USB charging current	-	2.4 A - 5 V (12 W) / 1.67 A - 9 V (15 W)	2.4 A - 5 V (12 W)
Fast Charging	-	✓	-



# References and specifications

## Single switch / push button

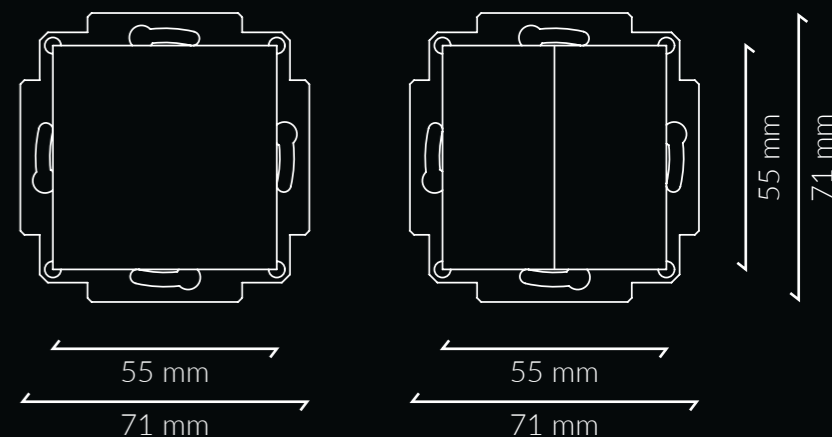
Single one-way rocker switch insert 10 AX / 250 V ~ (without cover 8300017xx)	8300016
Single two-way rocker switch insert 10 AX / 250 V ~ (without cover 8300017xx)	8300031
Single intermediate rocker switch insert 10 AX / 250 V ~ (without cover 8300017xx)	8300032
Single push button switch insert 10 A / 250 V ~ (without cover 8300017xx)	8300033
Single switch cover 55x55 mm - Anthracite	830001705
Single switch cover 55x55 mm - Silver	830001706
Single switch cover 55x55 mm - Matt white	830001709
Single switch cover 55x55 mm - Gloss White	830001708
Single switch cover 55x55 mm - Anthracite - Custom	830004205
Single switch cover 55x55 mm - Silver - Custom	830004206
Single switch cover 55x55 mm - Matt white - Custom	830004209
Single switch cover 55x55 mm - Gloss White - Custom	830004208

## Double switch / push button

Double one-way rocker switch insert 10 AX / 250 V ~ (without cover 8300019xx)	8300018
Double two-way rocker switch insert 10 AX / 250 V ~ (without cover 8300019xx)	8300034
Double push button switch insert 10 A / 250 V ~ (without cover 8300019xx)	8300036
Double switch cover 55x55 mm - Anthracite	830001905
Double switch cover 55x55 mm - Silver	830001906
Double switch cover 55x55 mm - Matt white	830001909
Double switch cover 55x55 mm - Gloss White	830001908
Double switch cover 55x55 mm - Anthracite - Custom	830004405
Double switch cover 55x55 mm - Silver - Custom	830004406
Double switch cover 55x55 mm - Matt white - Custom	830004409
Double switch cover 55x55 mm - Gloss White - Custom	830004408

Colours: anthracite, silver, white and gloss white

	Single	Double
Colours: anthracite, silver, white and gloss white	✓	✓
Rated current / voltage	10 AX / 250 V ~	10 AX / 250 V ~
Maximum cable cross-section	2.5 mm <sup>2</sup>	2.5 mm <sup>2</sup>
Connection method	Screw terminal block	Screw terminal block
Fixing mechanism	With screws. Optional claws	With screws. Optional claws
Personalised icons on cover	✓	✓
International standard	IEC 60669-1	IEC 60669-1



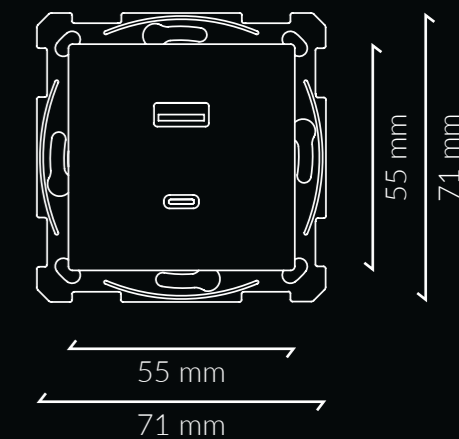
# References and specifications

## USB C+A charger

Double USB charger insert (C+A) - 5 V / 3,5 A (without cover ZS55C2UCAx)	ZSI2UCA
Cover plate for double USB C+A charger 55x55 mm - Anthracite	ZS55C2UCAA
Cover plate for double USB C+A charger 55x55 mm - Silver	ZS55C2UCAS
Cover plate for double USB C+A charger 55x55 mm - Matt white	ZS55C2UCAMW

## USB C+A charger

Colours: anthracite, silver and matt white	✓
Input voltage	100 - 240 V ~
Output voltage	5 V DC
Output current	3,5 A (max)
Standby consumption	< 0,05 W
Connection method	Screw terminal block
Fixing mechanism	With screws. Optional claws
USB type	C+A
Fast Charging	-

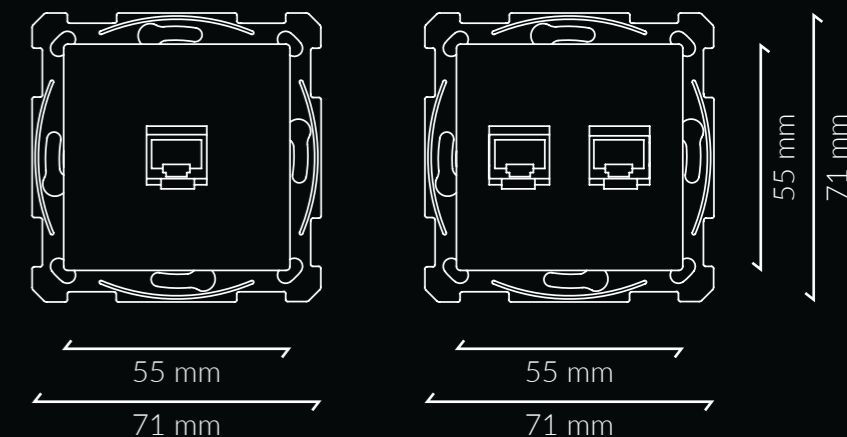


# References and specifications

## Single and double RJ45 outlet

RJ45 connector – 1 insert (without keystone and cover 8300012xx)	8300009
RJ45 connector – 2 inserts (without keystone and cover 8300013xx)	8300037
RJ45 Cat. 5e connector - keystone	8300046
RJ45 Cat. 6A connector - keystone	8300047
Cover plate for RJ45 connector 55x55 mm - 1 insert - Anthracite	830001205
Cover plate for RJ45 connector 55x55 mm - 1 insert - Silver	830001206
Cover plate for RJ45 connector 55x55 mm - 1 insert - Matt white	830001209
Cover plate for RJ45 connector 55x55 mm - 1 insert - Gloss White	830001208
Cover plate for RJ45 connector 55x55 mm - 2 inserts - Anthracite	830001305
Cover plate for RJ45 connector 55x55 mm - 2 inserts - Silver	830001306
Cover plate for RJ45 connector 55x55 mm - 2 inserts - Matt white	830001309
Cover plate for RJ45 connector 55x55 mm - 2 inserts - Gloss White	830001308

	RJ45 Single	RJ45 Double
Colours: anthracite, silver, white and gloss white	✓	✓
Connection method	Crimped	Crimped
Fixing mechanism	With screws. Optional claws	With screws. Optional claws
Internal connection fixing	Keystone	Keystone
Norms	EN55022, EN55024, IEC61000-4-5	EN55022, EN55024, IEC61000-4-5



# References and specifications

	TV-R/AERIAL
TV-R - Intermediate insert (without cover 8300015xx)	8300014
TV-R - End-of-line insert (without cover 8300015xx)	8300040
TV-R/SAT - End-of-line insert (without cover 8300015xx)	8300048
Cover plate for TV/R insert 55x55 mm - Anthracite	830001505
Cover plate for TV/R insert 55x55 mm - Silver	830001506
Cover plate for TV/R insert 55x55 mm - Matt white	830001509
Cover plate for TV/R insert 55x55 mm - Gloss White	830001508

## TV-R

Colours: anthracite, silver, white and gloss white

Diameter

✓  
12.5 mm

Frequency range

5-2400 MHz

Connection method

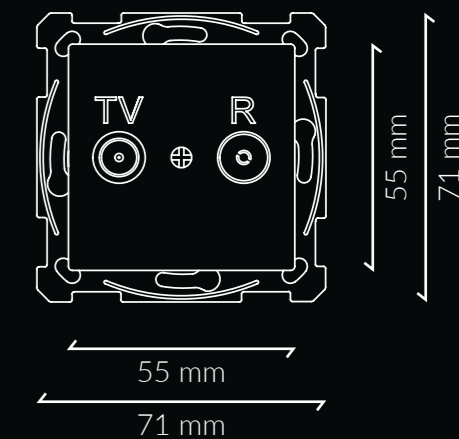
Screw

Fixing mechanism

With screws or clamps (included)

Norms

EN60728-11, EN50083-2 + A1, EN50581



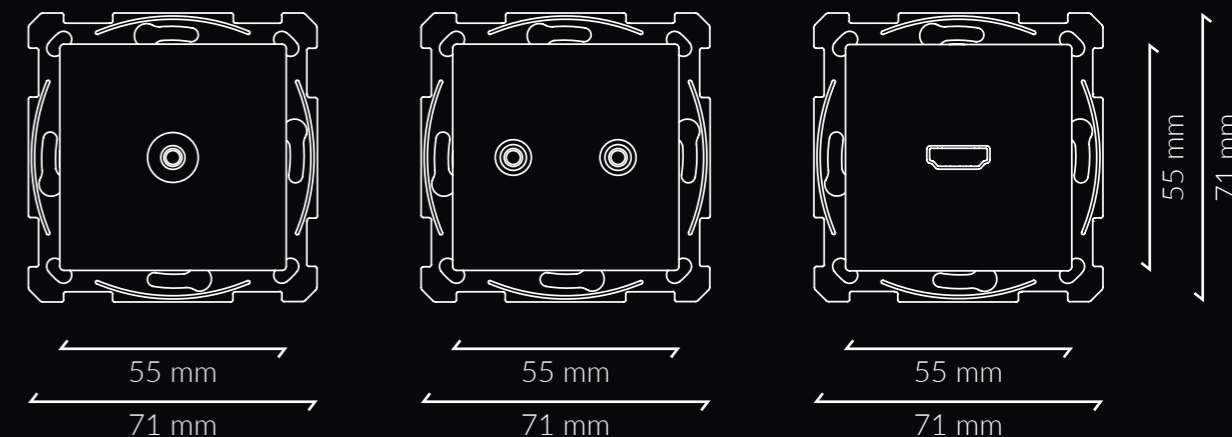
# References and specifications

Jack 3.5 mm	
HDMI or Jack 3.5 mm insert support (without keystone and cover 8300025xx/8300027xx)	8300024
Jack 3.5 mm audio keystone	8300050
Cover for jack 3.5 mm insert 55x55 mm - Anthacite	830002705
Cover for jack 3.5 mm insert 55x55 mm - Silver	830002706
Cover for jack 3.5 mm insert 55x55 mm - Matt white	830002709
Cover for jack 3.5 mm insert 55x55 mm - Gloss White	830002708

RCA	
RCA audio insert (without keystones and cover 8300023xx)	8300022
RCA audio keystones	8300051
Cover for RCA insert 55x55 mm - Anthracite	830002305
Cover for RCA insert 55x55 mm - Silver	830002306
Cover for RCA insert 55x55 mm - Matt white	830002309
Cover for RCA insert 55x55 mm - Gloss White	830002308

HDMI	
HDMI or Jack 3.5 mm insert support (without keystone and cover 8300025xx/8300027xx)	8300024
HDMI keystone	8300049
Cover for HDMI insert 55x55 mm - Anthracite	830002505
Cover for HDMI insert 55x55 mm - Silver	830002506
Cover for HDMI insert 55x55 mm - Matt white	830002509
Cover for HDMI insert 55x55 mm - Gloss White	830002508

	Jack 3.5 mm	RCA	HDMI
Colours: anthracite, silver, white and gloss white	✓	✓	✓
Connector type	Female	Female	Female (I/O)
Connection method	Screw	Screw	HDMI
Fixing mechanism	With screws. Optional claws	With screws. Optional claws	With screws. Optional claws
Internal connection fixing	Keystone	Keystone	Keystone
Norms	CE	CE	EN55022, EN55024 and IEC61000-4-5





# References and specifications

## Cable outlet

Cable outlet insert (without cover 8300021xx)	8300020
Cable outlet cover 55x55 mm - Anthracite	830002105
Cable outlet cover 55x55 mm - Silver	830002106
Cable outlet cover 55x55 mm - Matt White	830002109
Cable outlet cover 55x55 mm - Gloss White	830002108

## Blind cover

Metallic plate for ZS55 family	8300035
Blind cover 55x55 mm - Anthracite. Metallic plate (8300035) is needed but not included	830002805
Blind cover 55x55 mm - Silver. Metallic plate (8300035) is needed but not included	830002806
Blind cover 55x55 mm - Matt White. Metallic plate (8300035) is needed but not included	830002809
Blind cover 55x55 mm - Gloss White. Metallic plate (8300035) is needed but not included	830002808

Colours: anthracite, silver, white and gloss white

Fixing mechanism

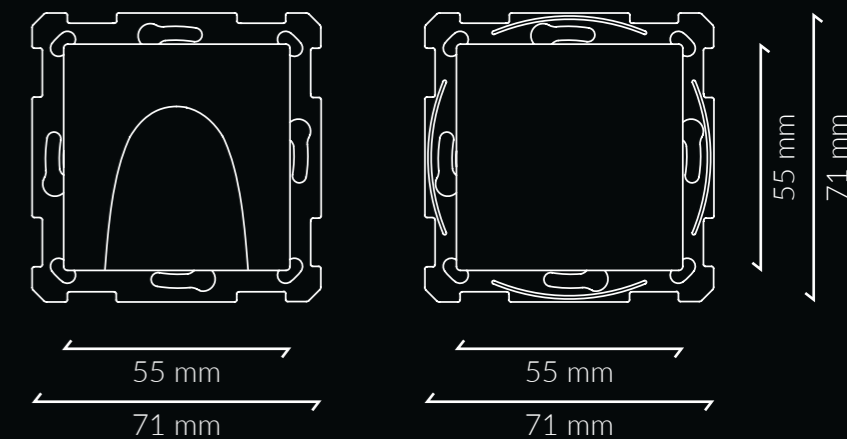
Cable outlet

Blind cover



With screws. Optional claws

With screws. Optional claws



# References and specifications

	1-gang
1-gang frame - Anthracite	980000105
1-gang frame - Silver	980000106
1-gang frame - Matt white	980000109
1-gang frame - Gloss White	980000108
	2-gang
2-gang frame - Anthracite	980000205
2-gang frame - Silver	980000206
2-gang frame - Matt white	980000209
2-gang frame - Gloss White	980000208
	3-gang
3-gang frame - Anthracite	980000305
3-gang frame - Silver	980000306
3-gang frame - Matt white	980000309
3-gang frame - Gloss White	980000308
	4-gang
4-gang frame - Anthracite	980000405
4-gang frame - Silver	980000406
4-gang frame - Matt white	980000409
4-gang frame - Gloss White	980000408

Colours: anthracite, silver, white and gloss white

Flush finish with ZS55 series switches and accessories

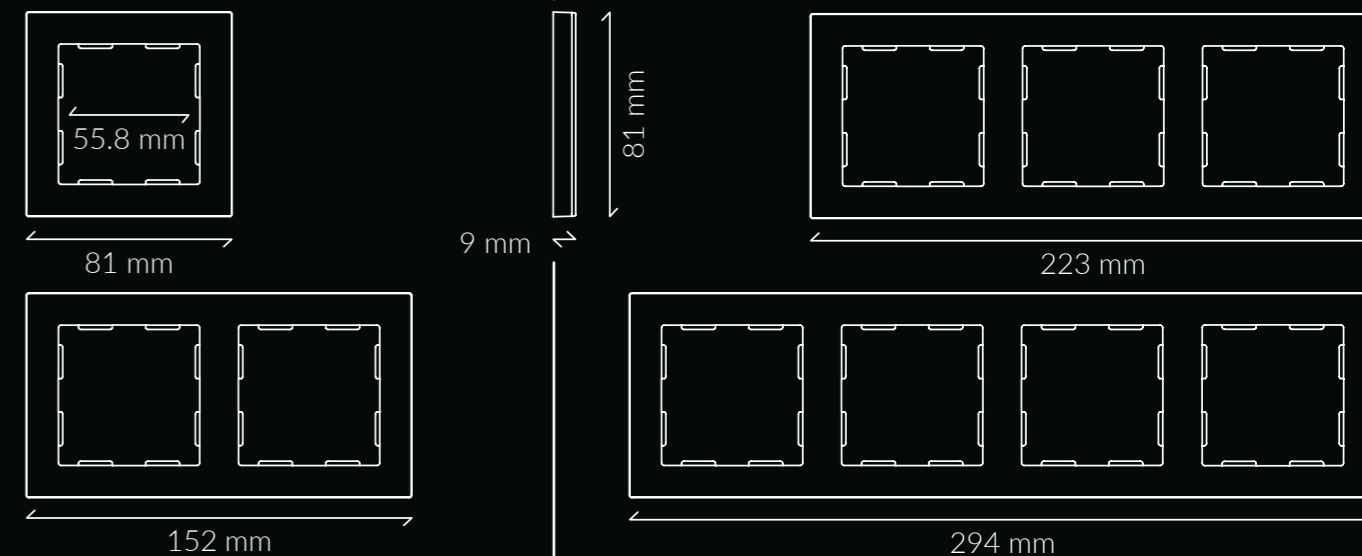
Portrait or landscape position

Frames

✓

✓

✓





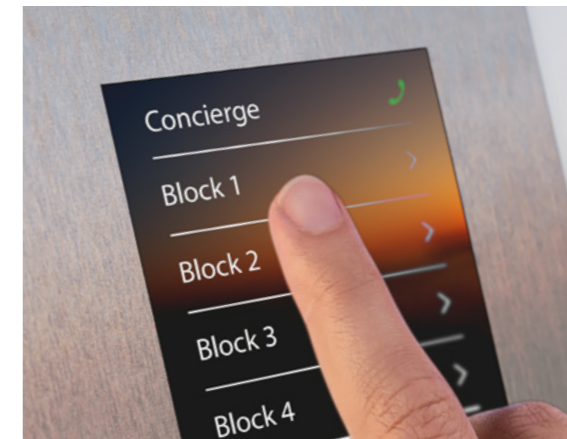
# Video Intercom

## GetFace IP

The video intercom solution is ideal for any type of building, from single to multi-dwelling, student residences, hotels and office buildings. Adapt it to the building requirements thanks to its modular structure. Fully integrated into the smart home touch panels.

## Fully secured access

Make sure who is calling before opening thanks to the outdoor station with HR camera and IR light for night vision. Pick the required modules according to the type of building and the access features: call buttons, keypad, touch panel, RFID card access or even Bluetooth® access.





## Smart home integration

Pick up the calls in the Z50, Z70 or Z100 internal units with the best design and all the KNX control functionalities.



Z50



Z70



Z100



## Answer the call wherever you are

Receive calls on your phone anytime, anywhere. You can see who is calling before answering and grant access to the people you trust.

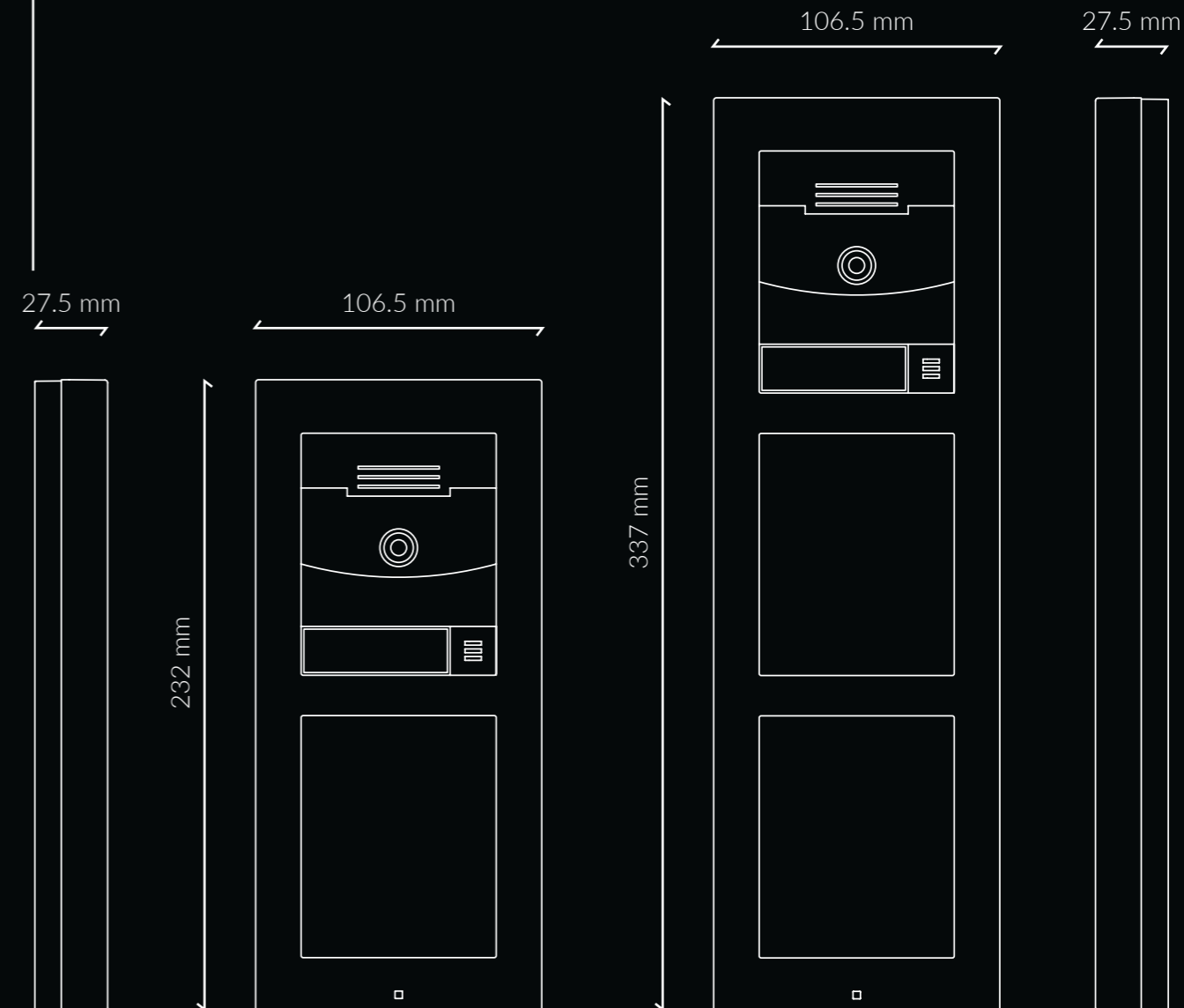
# References and specifications

## Surface installation

GetFace IP - Surface installation - Frame - 1 module - Nickel/Black	ZVP-CB1M / ZVPCB1MB
GetFace IP - Surface installation - Frame - 2 modules - Nickel/Black	ZVP-CB2M / ZVPCB2MB
GetFace IP - Surface installation - Frame - 3 modules - Nickel/Black	ZVP-CB3M / ZVPCB3MB
GetFace IP - Surface installation - Backplate - 1 module	ZVP-BPLA1
GetFace IP - Surface installation - Backplate - 2 modules	ZVP-BPLA2
GetFace IP - Surface installation - Backplate - 3 modules	ZVP-BPLA3
GetFace IP - Surface installation - Backplate - 2(w) x 2(h) modules	ZVP-BP2W2H
GetFace IP - Surface installation - Backplate - 2(w) x 3(h) modules	ZVP-BP2W3H
GetFace IP - Surface installation - Backplate - 3(w) x 3(h) modules	ZVP-BP3W3H

## ZVP-CAM    ZVP-WOCAM

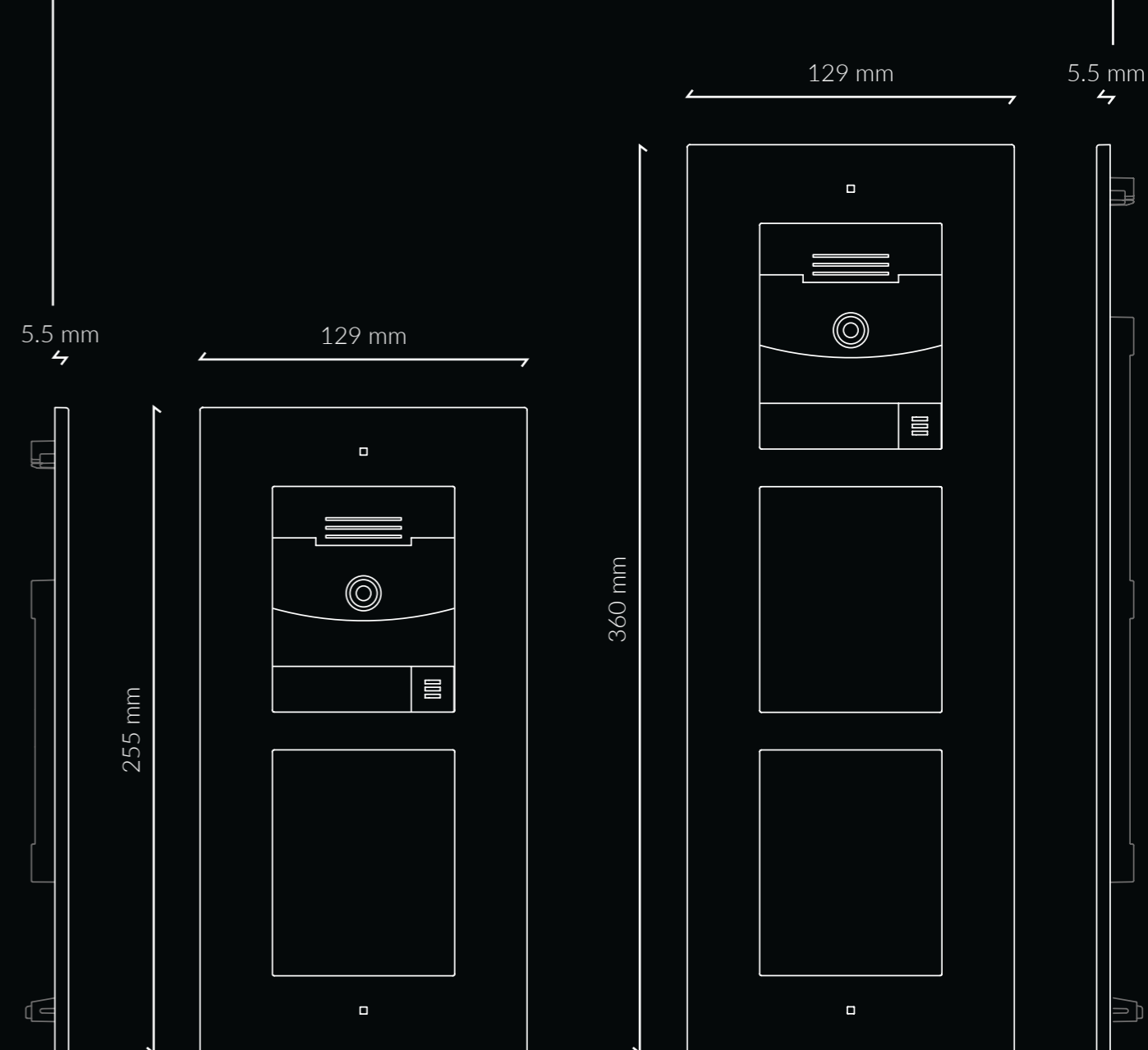
HR 1280 x 960 px camera (angles 120°h, 90°V, 145°D)	✓	-
Night vision with IR light	✓	-
2W Speaker with LINEOUT (1VRMS) output	✓	✓
Microphone	✓	✓
Power supply: 12 VDC/2 A or PoE 48 VDC/0.32 A	✓	✓
Connection of additional modules	✓	✓
Configurable input (-30...30 VDC)	✓	✓
Active output (8-12 VDC/400 mA)	✓	✓
Relay output (30 V/1 A AC/DC)	✓	✓
Protection degree: IP54	✓	✓



# References and specifications

	Flush installation
GetFace IP - Flush installation - Frame - 1 module - Nickel/Black	ZVP-FFRA1 / ZVPPFRA1B
GetFace IP - Flush installation - Frame - 2 modules - Nickel/Black	ZVP-FFRA2 / ZVPPFRA2B
GetFace IP - Flush installation - Frame - 3 modules - Nickel/Black	ZVP-FFRA3 / ZVPPFRA3B
GetFace IP - Flush installation - Box - 1 module	ZVP-FBOX1
GetFace IP - Flush installation - Box - 2 modules	ZVP-FBOX2
GetFace IP - Flush installation - Box - 3 modules	ZVP-FBOX3

	ZVP-CAM	ZVP-WOCAM
HR 1280 x 960 px camera (angles 120°h, 90°V, 145°D)	✓	-
Night vision with IR light	✓	-
2W Speaker with LINEOUT (1VRMS) output	✓	✓
Microphone	✓	✓
Power supply: 12 VDC/2 A or PoE 48 VDC/0.32 A	✓	✓
Connection of additional modules	✓	✓
Configurable input (-30...30 VDC)	✓	✓
Active output (8-12 VDC/400 mA)	✓	✓
Relay output (30 V/1 A AC/DC)	✓	✓
Protection degree: IP54	✓	✓

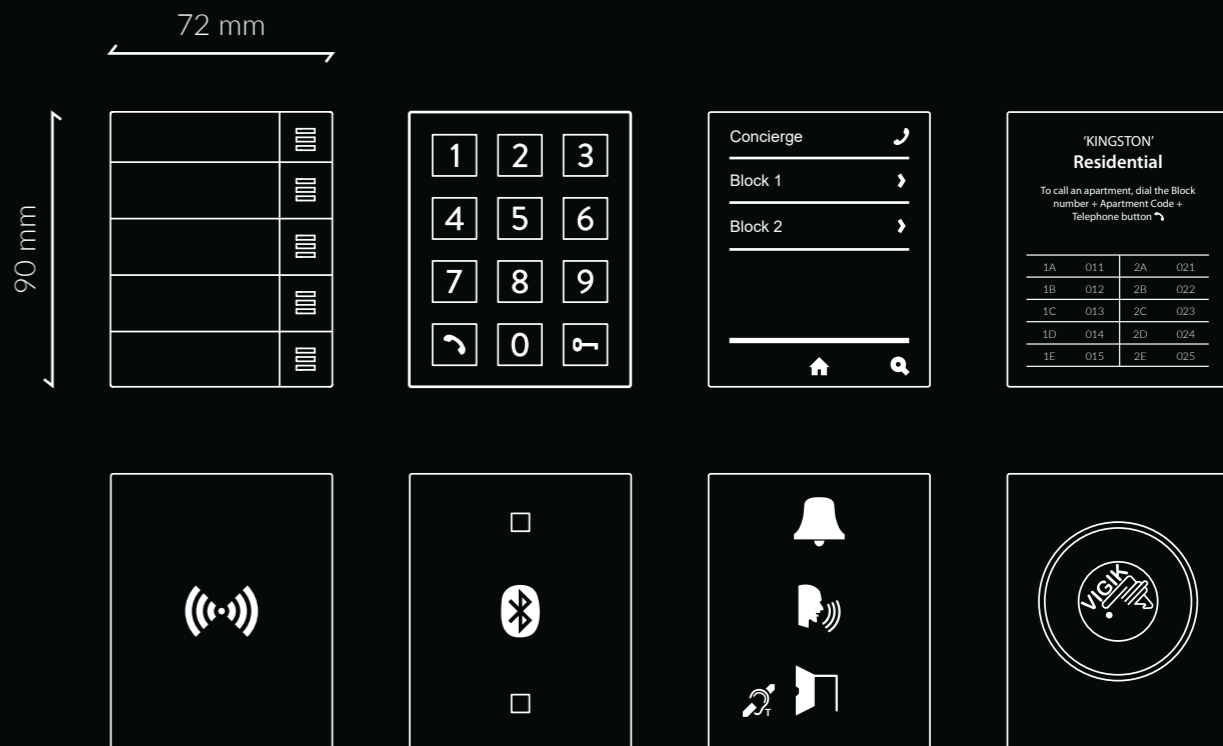




# References and specifications

## Modules / accessories

GetFace IP – 5-button module	ZVP-NAME5
GetFace IP – Keypad module	ZVP-KEYPAD
GetFace IP – Keypad module - Black	ZVPKEYPADB
GetFace IP – Touch display	ZVP-TOUCHD
GetFace IP – Info panel	ZVP-INFOP
GetFace IP – RFID card reader (cards not included)	ZVPRFSMNV2
GetFace IP – Bluetooth® module	ZVP-BLUET
GetFace IP – Induction loop module	ZVP-ILOOP
GetFace IP – Vigik module	ZVP-VIGM
GetFace IP - I/O module	ZVP-INOUT
GetFace IP - Tamper switch	ZVP-ACTAM
GetFace IP – Security relay	ZVP-ACSR
GetFace IP – Blind panel	ZVP-ACBLP
GetFace IP – Blind button	ZVP-ACBLB





IWAC Display



IWAC Out



IWAC Out Keypad

# Access control

Z-Access

IWAC Display - IWAC Out - IWAC Out Keypad

We had a wish list...  
and we made it happen!

- Esthetically attractive and customizable (IWAC Display) access controls
- A system that works off-line, even if there is no network communication
- We want to know if guests are in the room without having to knock on the door
- We need to know if the guest has selected "do not disturb" or "make up room" from outside the room
- Integrated doorbell

Anything else? All you have to do is ask!

# IWAC Display

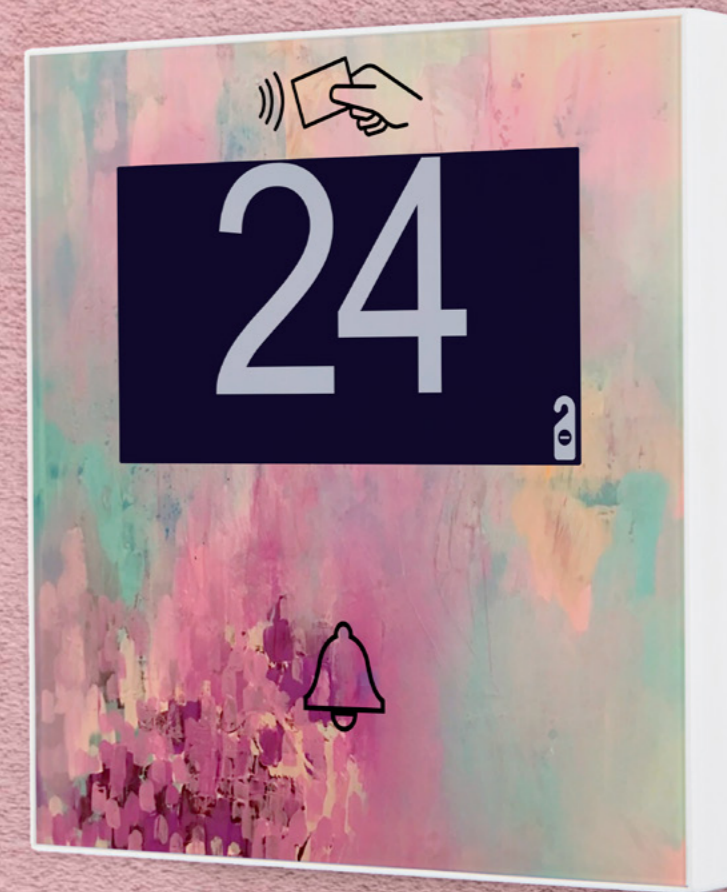
Free the door from the weight of any access control hardware thanks to IWAC Display, a device that can also display the room number and the "do not disturb" or "make up room" status selected by the guest.



IWAC Display installed in the luxurious Boutique Boho Club hotel (Marbella - Spain).

# Customization is the key

In any interior design project all the elements in a room must maintain aesthetics, colours and shapes cohesion... IWAC Display is the only access control option thanks to its tempered glass printed customization.



# IWAC Out

A waterproof version of IWAC.

This outdoor version is not only weather and impact resistant, but it is also KNX Secure for a secure communication via the KNX bus.



# Z-Access

Everything under control thanks to Z-Access, our card writing and Bluetooth® key generating software. Z-Access allows room access reports for guests and staff, knowing who has written new cards or cancelling existing keys so they are no longer valid.

Z-Access communicates with all door readers, IWAC Display and IWAC Out, and, magic! It can work offline.





Online check-in?  
Bluetooth® access?

Yes, thanks to Zennio Key

Getting to a hotel and avoiding queues at reception just to pick up your keys is everybody's dream. We make it possible thanks to Bluetooth® opening, which allows guests to receive their room keys in their phones before they get to the hotel.



# IWAC Out Keypad

Open the door to a world of possibilities.

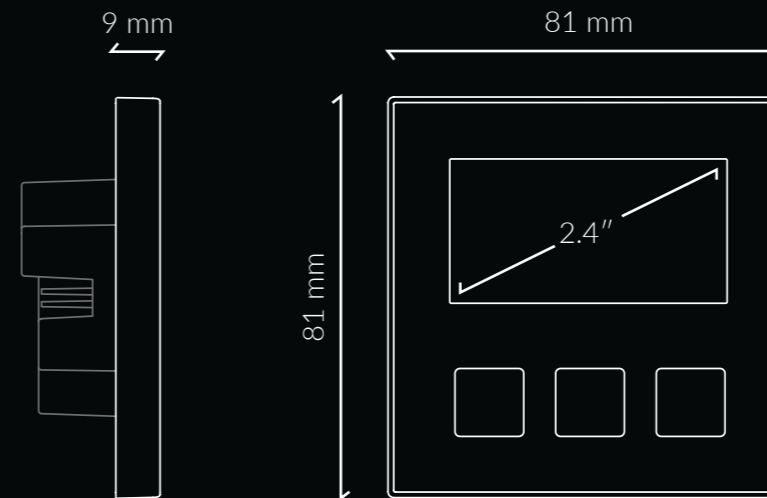
Experience the convenience of easy-to-use, weather-resistant access control, designed to control access to apartments, offices, and any other spaces in need of intelligent security.

You will never have to worry about leaving your keys behind, what's more, forget about them!

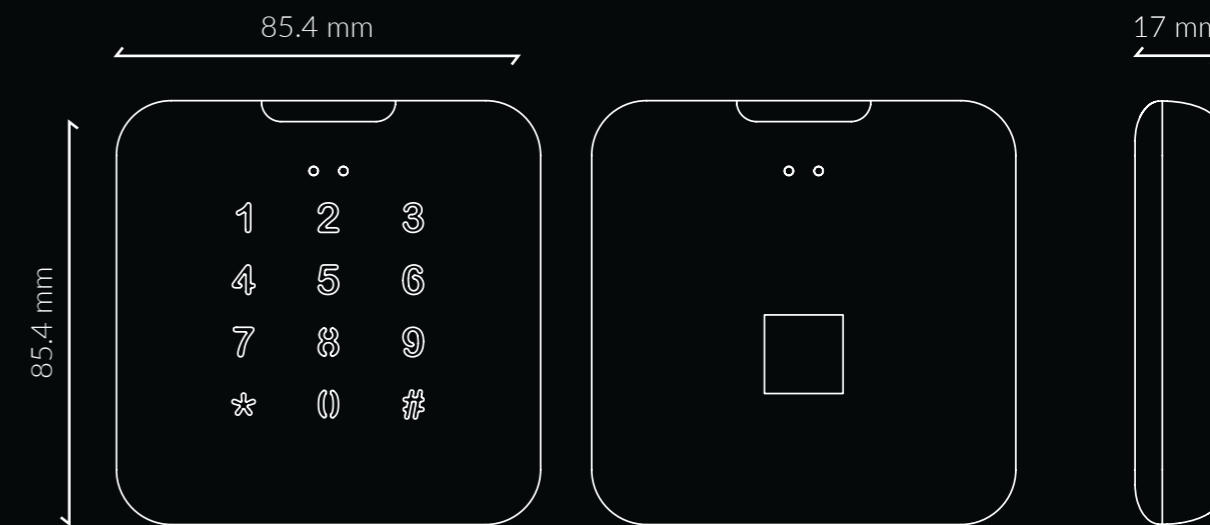


# References and specifications

	IWAC Display	IWAC Out	IWAC Out Keypad
Backlit icons	✓	-	✓
Customizable	✓	-	-
2.4" OLED display	✓	-	-
Installation in European or British standard mounting box	✓	-	-
Available colours	Anthracite, silver and white	Anthracite and white	Anthracite and white
Number of buttons	3	1	Keypad
2 analogue-digital inputs	✓	-	-
Integration with Z-Access	✓	✓	-
Standalone operation	-	-	✓
Suitable for outdoor installation	-	IP56	IP56
Secure opening	Encrypted	KNX Secure	KNX Secure
Opening	Bluetooth and NFC	Bluetooth and NFC	PIN access



ZVIWACDV3



ZVIWOK

ZVIWO





# Actuators

## Where the magic is done

A complete range of the most powerful actuators in the market. In the following pages, you will discover the non-visible part of KNX installations.

Actuators for HVAC, lighting, shutter control, multifunctional, all-in-one solutions, multimedia, energy monitoring...

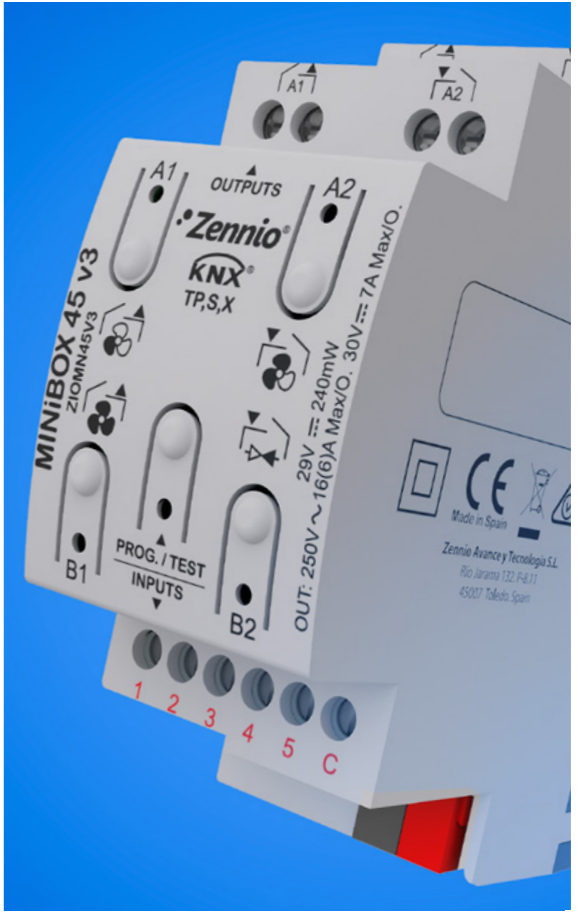
12 DIN



8 DIN



2 DIN





# Multifunction actuators

KNX multifunction actuators with outputs to be configured as shutter channel, individual output, or even fan coil actuator.

Models with analogue-digital inputs allow to configure them as multifunction binary inputs, for sensors or potential-free push buttons, as inputs for temperature probes or as inputs for motion sensors. A logical function module is included.

Product	Reference	Outputs	Inputs	Mounting	KNX Secure
<b>inBOX 20 v3</b>	ZIOIB20V3	2 (16 A C-Load)	-	Flush	-
<b>inBOX 24 v3</b>	ZIOIB24V3	2 (16 A C-Load)	4	Flush	-
<b>MINiBOX 20 v2</b>	ZIOMN20V2	2 (16 A C-Load)	-	2 DIN	Yes
<b>MINiBOX 25 v3</b>	ZIOMN25V3	2 (16 A C-Load)	5	2 DIN	Yes
<b>MINiBOX 40 v3</b>	ZIOMN40V3	4 (16 A C-Load)	-	2 DIN	Yes
<b>MINiBOX 45 v3</b>	ZIOMN45V3	4 (16 A C-Load)	5	2 DIN	Yes
<b>MAXinBOX 8 v4</b>	ZIOMB8V4	8 (16 A C-Load)	-	4.5 DIN	Yes
<b>MAXinBOX 12</b>	ZIOMB12	12 (16 A C-Load)	-	6 DIN	Yes
<b>MAXinBOX 16 v4</b>	ZIOMB16V4	16 (16 A C-Load)	-	8 DIN	Yes
<b>MAXinBOX 20</b>	ZIOMB20	20 (16 A C-Load)	-	10 DIN	Yes
<b>MAXinBOX 24 v2</b>	ZIOMB24V2	24 (16 A C-Load)	-	12 DIN	-
<b>MAXinBOX 66 v3</b>	ZIOMB66V3	6 (16 A C-Load)	6	4.5 DIN	Yes

# Shutter actuators

KNX shutter actuators for Din-rail installation. The control is performed through the rise and fall times. They allow manual control of the outputs, and their status can be visualized through the LED indicators. A logical function module is included.

Product	Reference	Description	Mounting	KNX Secure
<b>MAXinBOX SHUTTER 4CH v3</b>	ZIOMB4V3	4 shutter channels	4.5 DIN	Yes
<b>MAXinBOX SHUTTER 8CH v3</b>	ZIOMB8V3	8 shutter channels	8 DIN	Yes
<b>Shutter Coupler 1CH</b>	ZAC-SHUC1C	Coupler AC/DC 1CH	2 DIN	-
<b>Shutter Coupler 2CH</b>	ZAC-SHUC2C	Coupler AC/DC 2CH	2 DIN	-

# All-in-one actuators

Multifunction devices under the all-in-one concept. They include in a single device: KNX power supply, KNX-IP interface, thermostats, logical modules, analogue-digital inputs and outputs which, depending on the model, can be configured as individual outputs, shutters and/or fan coil controller.

Product	Reference	Power supply	Outputs	Inputs	Mounting
<b>ALLinBOX 1612 v2</b>	ZPR1612V2	640 mA	16 (16 A C-Load)	12	12 DIN
<b>ALLinBOX 88</b>	ZPR88	320 mA	8 (16 A C-Load)	8	8 DIN
<b>ALLinBOX 46</b>	ZPR46	160 mA	4 (16 A C-Load)	6	4.5 DIN
<b>ALLinBOX Hospitality</b>	ZPRHP	160 mA	4 (fan coil) + 1 (16 A C-Load)	6	4.5 DIN

# 0-10 V inputs/outputs actuator

Multifunction actuators with 1/2/3 analogue inputs/outputs channels, configurable as 0-10 V outputs, 0-10 V inputs or 4-20 mA inputs. Each channel can be configured individually or jointly to control a 2/4 pipe fan coil in which either the fan, the valves or both are regulated by a 0-10V signal. A logical function module and thermostats are included.

Product	Reference	Description	Mounting
<b>MINiBOX 0-10V X3</b>	ZIO3X010	3 channels 0-10 V outputs/ 0-10V or 4-20 mA inputs	2 DIN
<b>MINiBOX 0-10V X2</b>	ZIO2X010	2 channels 0-10 V outputs/ 0-10V or 4-20 mA inputs	2 DIN
<b>MINiBOX 0-10V X1</b>	ZIO1X010	1 channels 0-10 V outputs/ 0-10V or 4-20 mA inputs	2 DIN

# Dimmable lighting

Universal dimming actuators (RLC, LED, CFL). Auto load type detection (RLC). Configurable dimming curves for LED and CFL. An independent logical function module is included. Error detection: short circuit, power failure, voltage surge, overheating, anomalous frequency and parameterization error.

Product	Reference	Channels	Power (230 V)	Mounting
<b>DIMinBOX DX4</b>	ZDIDBDX4	4	300 W	8 DIN
<b>NarrowDIM X4</b>	ZDINDX4	4	210 W	4.5 DIN
<b>DIMinBOX DX2</b>	ZDI-DBDX2	2	310 W	4.5 DIN
<b>NarrowDIM X2</b>	ZDINDX2	2	210 W	2 DIN
<b>DIMinBOX DX1</b>	ZDIDBDX1	1	350 W	2 DIN
<b>inBOX DIM</b>	ZDI-IBD	1	250 W	Flush

# LED lighting

LED dimmers (RGBW or single channels) oriented to DC LED technology with constant voltage or constant current regulation through PWM. The dimming channels can be configured as independent channels or 1 RGB(W) channel. They incorporate manual test buttons to check the channels functioning.

Product	Reference	Channels	Dimming	Mounting	KNX Secure
<b>Lumento C3</b>	ZDI-RGBCC3	3	Constant current (220 mA - 1 A)	Flush	-
<b>Lumento C4</b>	ZDI-RGBCC4	4	Constant current (220 mA - 1 A)	Flush	-
<b>Lumento X2 v2</b>	ZDILX2V2	2 + 1 relay (16A)	Constant voltage (12/24 VDC)	Flush	Yes
<b>Lumento X3 v2</b>	ZDILX3V2	3 + 1 relay (16A)	Constant voltage (12/24 VDC)	Flush	Yes
<b>Lumento X4 v2</b>	ZDILX4V2	4 + 1 relay (16A)	Constant voltage (12/24 VDC)	Flush	Yes
<b>Lumento DX4 v2</b>	ZDILD4V2	4 + 1 relay (16A)	Constant voltage (12-30 VDC)	4.5 DIN	Yes

# DALI lighting

Interfaces for the control of DALI certified lighting through the KNX bus.

DALI broadcast interfaces allow a plug&play configuration without needing to configure anything on the DALI side, whereas DALI-BOX Interface allows to perform the ballasts assignment and creating up to 64 groups (48 single-ballast and 16 multi-ballast).

Product	Reference	Channels	Ballasts	Mounting	KNX Secure
<b>DALI BOX Broadcast 4CH v2</b>	ZDIDLB4V2	4	250(total) / 64 channel	4.5 DIN	Yes
<b>DALI BOX Broadcast 6CH v2</b>	ZDIDLB6V2	6	250(total) / 64 channel	4.5 DIN	Yes
<b>DALI BOX Interface 64 v3</b>	ZDID64V3	1	64	4.5 DIN	-

# Climate - Heating

KNX actuators for the control of heating valves, such as radiators or underfloor heating.

CLIMATE WATER CIRCUITS					
Product	Reference	Channels	Inputs	Control voltage	Mounting
<b>HeatingBOX 230V 2X v2</b>	ZCL2H230V2	2	2	230 VAC	2 DIN
<b>HeatingBOX 230V 4X v2</b>	ZCL4H230V2	4	4	230 VAC	2 DIN
<b>HeatingBOX 230V 6X v2</b>	ZCL6H230V2	6	6	230 VAC	4 DIN
<b>HeatingBOX 230V 8X v2</b>	ZCL8H230V2	8	8	230 VAC	4 DIN
<b>HeatingBOX 24V 4X</b>	ZCL-4HT24	4	-	24 VAC/VDC	2 DIN
<b>HeatingBOX 24V 8X</b>	ZCL-8HT24	8	-	24 VAC/VDC	4.5 DIN

# Climate - Ventilation

Actuators for the control of ceiling fan units powered at 230 VAC.

CEILING FANS				
Product	Reference	Fanspeeds	Control voltage	Mounting
<b>FANinBOX 110V 1CH</b>	ZCLFB110C1	4	110 VAC	2 DIN
<b>FANinBOX 230V 1CH</b>	ZCLFB230C1	4	230 VAC	2 DIN

# Climate - Zoning

Actuators for zoning ducted air-conditioning systems, which allow the control of motorized 12/24 VDC grilles. The device includes an advanced zoning logic, allowing to send orders to the interface that controls the air generation system according to the status of the zones.

ZONING DUCTED AIR CONDITIONING				
Product	Reference	Zones	Control voltage	Mounting
<b>ZoningBOX 4</b>	ZCL-ZB4	4	12/24 VDC	4.5 DIN
<b>ZoningBOX 6</b>	ZCL-ZB6	6	12/24 VDC	4.5 DIN

# Climate - Fan coil

KNX actuators for the control of 2 or 4-pipe fan coils whose valves and/or fans are controlled with 0-10V signals.

FAN COIL WITH 0-10 VDC CONTROL						
Product	Reference	Fan coil units	Type	Control 0-10 V	Mounting	KNX Secure
<b>MAXinBOX FC 0-10V FAN</b>	ZCL-FC010F	2	2/4 pipe	Fan	4.5 DIN	-
<b>MAXinBOX FC 0-10V VALVE</b>	ZCL-FC010V	1	2/4 pipe	Valve	4.5 DIN	-
<b>MINiBOX 0-10V X3</b>	ZIO3X010	3	2/4 pipe	Both	2 DIN	-
<b>MINiBOX 0-10V X2</b>	ZIO2X010	2	2/4 pipe	Both	2 DIN	-
<b>MINiBOX 0-10V X1</b>	ZIO1X010	1	2/4 pipe	Both	2 DIN	-

# Climate - Fan coil

KNX actuators for control of 2 or 4-pipe fan coils. In our range of fan coil actuators you will find versions for control via conventional relays; on/off relays for valves and step controlled fans.

FAN COIL WITH ON/OFF VALVES AND FAN CONTROLLED THROUGH RELAYS						
Product	Reference	Fan coil units	Type	Inputs	Mounting	KNX Secure
<b>MAXinBOX 8 v4</b>	ZIOMB8V4	2	2-pipe	-	4.5 DIN	Yes
<b>MAXinBOX 12</b>	ZIOMB12	3	2-pipe	-	6 DIN	Yes
<b>MAXinBOX 16 v4</b>	ZIOMB16V4	4	2-pipe	-	8 DIN	Yes
<b>MAXinBOX 20</b>	ZIOMB20	5	2-pipe	-	10 DIN	Yes
<b>MAXinBOX 24 v2</b>	ZIOMB24V2	6	2-pipe	-	12 DIN	Yes
<b>MINiBOX 40 v3</b>	ZIOMN40V3	1	2-pipe	-	2 DIN	Yes
<b>MINiBOX 45 v3</b>	ZIOMN45V3	1	2-pipe	-	2 DIN	Yes
<b>MAXinBOX Hospitality v3</b>	ZCLHP126V3	1	2/4 pipe	6	4.5 DIN	Yes
<b>ALLinBOX 1612 v2</b>	ZPR1612V2	2	2/4 pipe	12	12 DIN	-
<b>ALLinBOX 88</b>	ZPR88	2	2/4 pipe	8	8 DIN	-
<b>ALLinBOX 46</b>	ZPR46	1	2-pipe	6	4.5 DIN	-
<b>ALLinBOX Hospitality</b>	ZPRHP	1	2-pipe	6	4.5 DIN	-

FAN COIL WITH 3-POINT VALVE						
Product	Reference	Fan coil units	Type	Inputs	Mounting	KNX Secure
<b>MAXinBOX Hospitality v3</b>	ZCLHP126V3	1	2/4 pipe	6	4.5 DIN	Yes
<b>ALLinBOX 1612 v2</b>	ZPR1612V2	1	2/4 pipe	12	12 DIN	-
<b>ALLinBOX 88</b>	ZPR88	1	2/4 pipe	8	8 DIN	-

# Climate - Air conditioning

Bidirectional climate interfaces that allow the control of indoor units of the main climate manufacturers in the market from the KNX system.

BIDIRECTIONAL CONTROL OF AIR CONDITIONING UNITS				
Product	Reference	Control range	Inputs	Mounting
<b>KLIC-DD v3</b>	ZCLDDV3	Daikin - Domestic range	2	Flush
<b>KLIC-DI v2</b>	ZCLDIV2	Daikin - Industrial range	2	2 DIN
<b>KLIC-MITT v3</b>	ZCLMITTV3	Mitsubishi Electric	2	Flush
<b>KLIC-LG1</b>	ZCL-LG1	LG	3	Flush
<b>KLIC-FJ</b>	ZCL-FJ	Fujitsu, General, Hiyasu y Fuji Electric	3	Flush
<b>KLIC-TS</b>	ZCL-TS	Toshiba	3	Flush
<b>KLIC-PA</b>	ZCLPA	Panasonic	3	Flush
<b>KLIC-SG</b>	ZCLSG	Samsung (industrial & VRF)	2	2 DIN
UNIDIRECTIONAL CONTROL OF AIR CONDITIONING UNITS				
Product	Reference	Control range	Inputs	Mounting
<b>IRSC</b>	ZN1CL-IRSC	All brands	-	Flush

# Universal interfaces

KNX universal interfaces with channels configurable as binary inputs and/or LED outputs. Binary inputs can be configured as sensors, switches or potential-free push buttons. Binary outputs can be used for low current LED control.

Product	Reference	Description	Mounting
<b>BIN 2X</b>	ZIO-BIN2X	2 binary inputs/LED outputs	Flush
<b>BIN 4X</b>	ZIO-BIN4X	4 binary inputs/LED outputs	Flush
<b>BIN 44</b>	ZIO-BIN44	4 binary inputs + 4 LED outputs LED	Flush

# Multifunction inputs

Analogue-digital inputs modules, which can be configured as multifunction binary inputs, as inputs for temperature probes or as inputs for connecting motion sensors. Thermostats are included.

Product	Reference	Inputs	Thermostats	Mounting
<b>QUAD Plus</b>	ZIO-QUADP	4	4	Flush
<b>RailQUAD 8</b>	ZIO-RQUAD8	8	8	2 DIN

# Climate - Aerothermal systems

Bidirectional communication interfaces for the integration of aerothermal units into the KNX installation.

BIDIRECTIONAL CONTROL OF AEROTHERMAL UNITS				
Product	Reference	Control range	Inputs	Mounting
<b>KLIC-DA v2</b>	ZCLDAV2	Daikin - Altherma and Altherma 3 LT	2	2 DIN
<b>KLIC-MITTE</b>	ZCLMITTE	Mitsubishi Electric - Ecodan	2	Flush

## Sensors - Presence/motion sensors

Motion and presence sensors for wall or ceiling mounting.

It is possible to restrict the motion detection depending on the ambient luminosity, except for the RF motion sensors which, in return, count with the great advantage of no requiring wiring.

Product	Reference	Luminosity	Temperature sensor	Installation	Range (Ø)	BCU KNX
<b>Presentia C v2</b>	ZPDC30LV2	Yes	Yes	Ceiling	30 m	Yes
<b>Presentia W0 v2</b>	ZPDW0V2	Yes	-	Wall	10 m	Yes
<b>Presentia W1 v2</b>	ZPDW1V2	Yes	-	Wall	10 m	Yes
<b>Presentia W2 v2</b>	ZPDW2V2	Yes	-	Wall	10 m	Yes
<b>EyeZen TP v2</b>	ZPDEZTPV2	Yes	-	Ceiling	6 m	Yes
<b>EyeZen IN</b>	ZPDEZIN	Yes	-	Ceiling	6 m	-
<b>EyeZen RF 868</b>	ZPDEZRF868	-	-	Ceiling	6 m	Yes (RF)

## Sensors - Temperature and humidity sensors

Temperature sensors, indispensable accessory in a room for the correct climate regulation. Connected to analogue-digital inputs of our KNX devices, or use Flat Sensato, directly connected to the KNX bus, including humidity measurement.

Product	Reference	Description	BCU KNX
<b>Flat Ambient</b>	ZACFAT	Temperature sensor	-
<b>SQ-Ambient</b>	ZAC-SQAT	Temperature sensor	-
<b>Flat Sensato v2</b>	ZSFSENV2	Temperature and humidity sensor	Yes
<b>NTC temperature probe</b>	ZACNTC	NTC temperature probe	-
<b>Temperature probe - mini NTC</b>	9900015	10K NTC temperature sensor	-

## Sensors - Door/window sensors

KNX-RF sensors for wireless installation in doors or windows, which notify the KNX bus when the door/window is open or closed.

Product	Reference	Description	BCU KNX
<b>WinDoor RF</b>	ZRFWD	KNX RF door/window sensor (868 MHz)	Yes (RF)

## Multimedia

AudiInRoom is an audio system for playing music via bluetooth for up to two rooms, with auxiliary input.

IRSC Open allows the integration of audio/video equipment into the KNX installation, acting as an IR remote controller.

Product	Reference	Description
<b>AudiInRoom</b>	ZMU-AUIR	KNX audio controller with Bluetooth and auxiliary input. 4 Outputs (10W)
<b>IRSC OPEN</b>	ZN1CL-IRSC	Infrared audio/video controller

## Energy saving

Interfaces for monitoring the consumption in the installations. They can measure electrical consumption, gas or water consumption or energetic consumption.

Product	Reference	Description	Mounting
<b>KCI</b>	ZRX-KCI4S0	KNX interface for 4 consumption meters with S0 pulses	2 DIN
<b>KES Plus</b>	ZIO-KESP	KNX electrical energy meter	2 DIN
<b>KEM</b>	ZEMKEM	KNX energy monitor	4.5 DIN



# KNX system elements

Indispensable elements for a correct functioning of the KNX installation: KNX universal power supplies (110/230 VAC) and auxiliary output, KNX-IP and KNX-USB secure interfaces for programming and monitoring, with extended frames for shorter downloads (APDU > 240 bytes), line couplers and KNX-RF media couplers.

Product	Reference	Description	Mounting
<b>KUPSupply 160mA</b>	ZPSU160	KNX universal power supply 160mA with 29VDC auxiliary output	2 DIN
<b>KUPSupply 320mA</b>	ZPSU320	KNX universal power supply 320mA with 29VDC auxiliary output	4.5 DIN
<b>KUPSupply 640mA</b>	ZPSU640	KNX universal power supply 640mA with 29VDC auxiliary output	4.5 DIN
<b>Linecoupler CL</b>	ZSYLCCL	KNX linecoupler	2 DIN
<b>KNX USB SC</b>	ZSYUSBSC	KNX-USB interface	2 DIN
<b>KIPI SC v2</b>	ZSYKISCV2	Zennio KNX-IP Interface. KNX Secure	2 DIN
<b>IP Router CL</b>	ZSYIPRCL	KNX-IP Router interface	2 DIN
<b>ZMCoup RF 868</b>	ZRFMC868	KNX TP-RF media coupler (868 MHz)	Flush

# Radiofrequency

Devices for the control through the KNX RF standard (868 / 915 MHz).

Product	Reference	Description	Frequency
<b>ZMCoup RF 868</b>	ZRFMC868	KNX TP-RF media coupler	868 MHz
<b>WinDoor RF</b>	ZRFWD	KNX RF door/window sensor	868 MHz
<b>EyeZen RF 868</b>	ZPDEZRF868	KNX RF motion sensor for ceiling mounting	868 MHz

Find out more  
about our actuators  
in our website





[www.zennio.com](http://www.zennio.com)